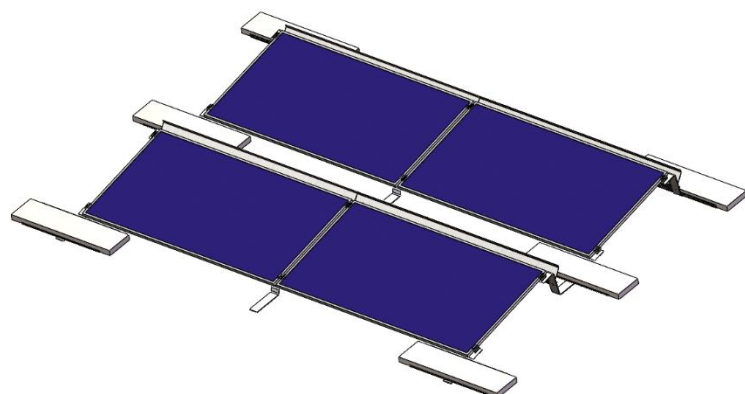
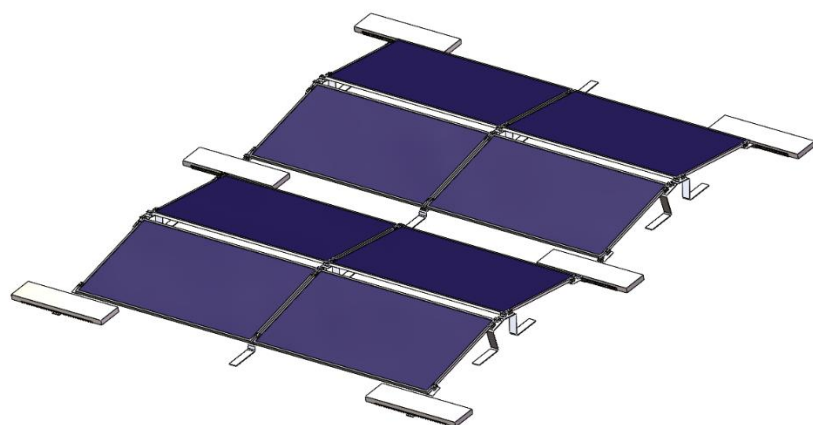


# MEZÖSTAHL

Aluminium flat roof photovoltaic mounting system in East/West and South configuration



## Table of contents

1.	East/West configuration.....	1
1.1	System properties:.....	2
1.2	System spacings:.....	2
1.3	System design:.....	3
1.4	Parts used in the system:.....	4
1.5	Modul clamps.....	5
2.	South configuration.....	6
2.1	System properties:.....	7
2.2	System spacing:.....	7
2.3	System design:.....	8
2.4	Parts used in the system:.....	9
2.5	Modul clamps:.....	10

## 1. East/West configuration

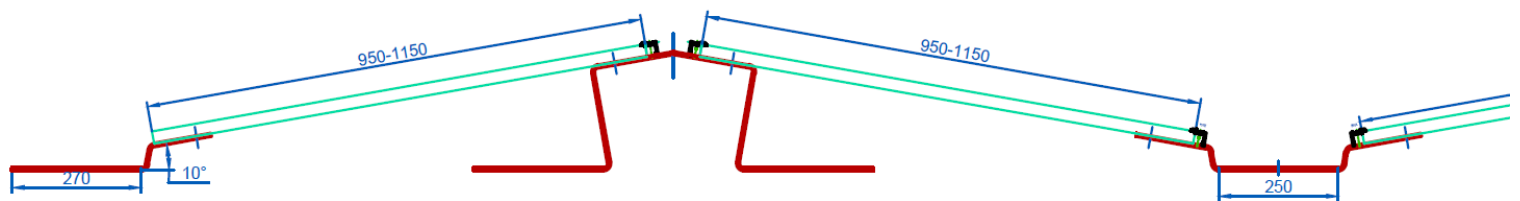


## 1.1 System properties:

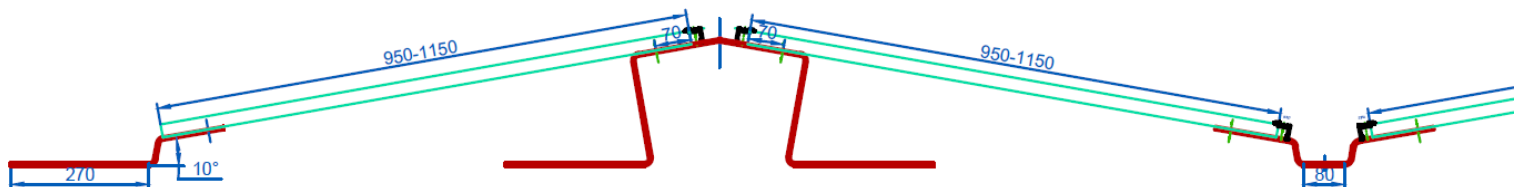
- Mounting angle: available with 10° angle
- Modul dimensions: 950-1150 mm x 1500-2250 mm (width, length)
- Modul frame height: 30-46 mm
- Max roof pitch: 5°
- Materials: aluminium mounting system 5754H111, aluminium clamps 5754H111, stainless steel A2 bolts and washers, wind shields, ballast trays S220GD-ZM175

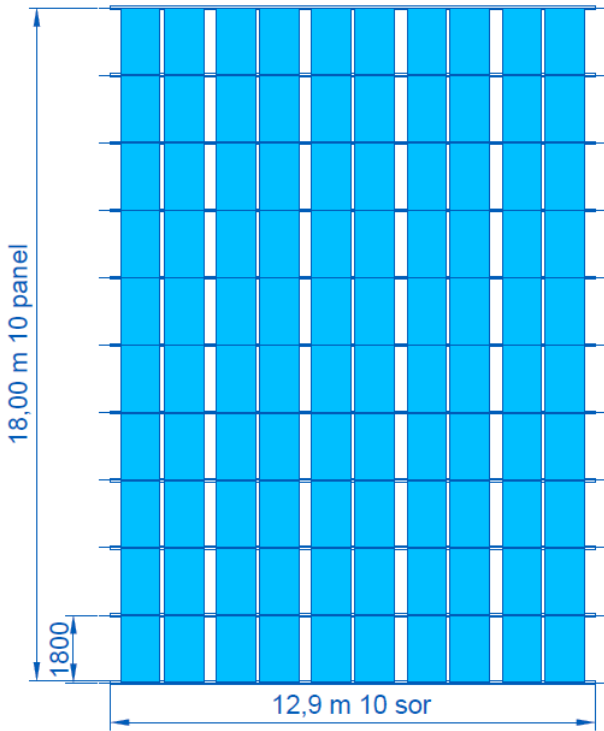
## 1.2 System spacings:

East/West 10°-18° internal shading angle:



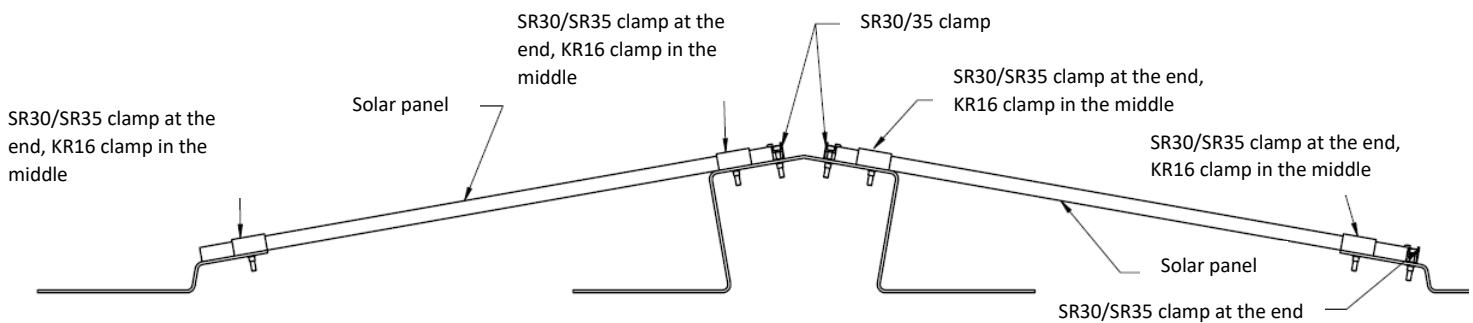
East/West 10° internal shading angle:



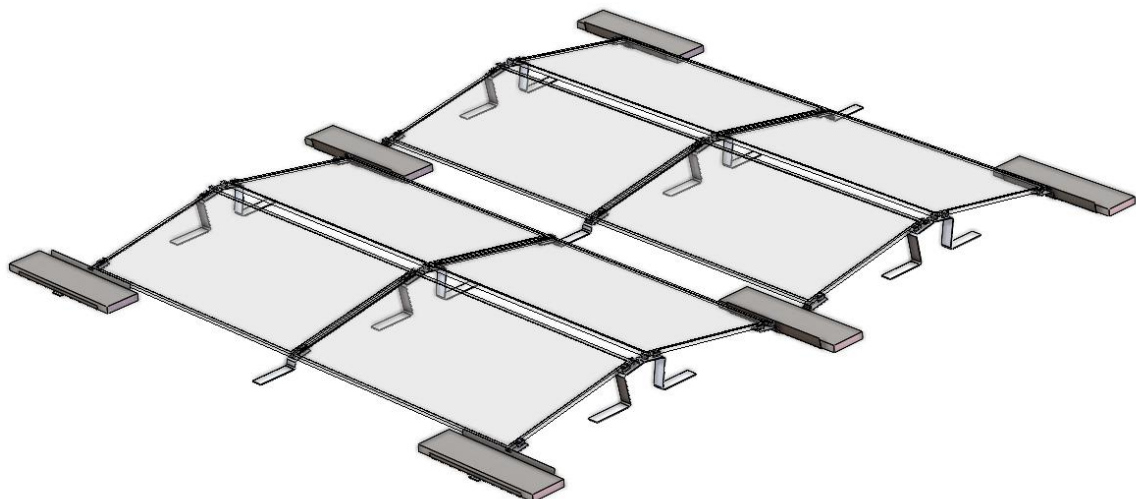


The flat roof solar panel structure manufactured by MEZŐSTAHL can be installed in a variable arrangement. This means optimal use of the available roof surface.

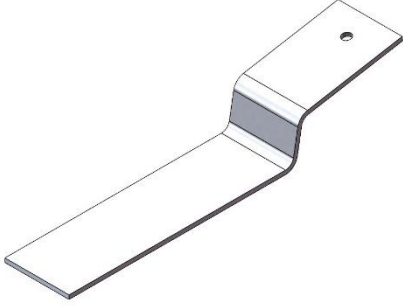
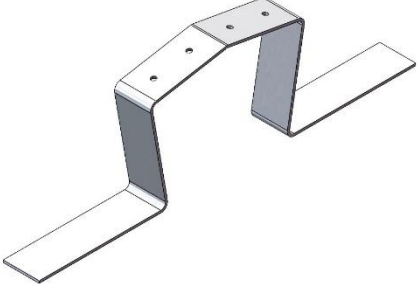
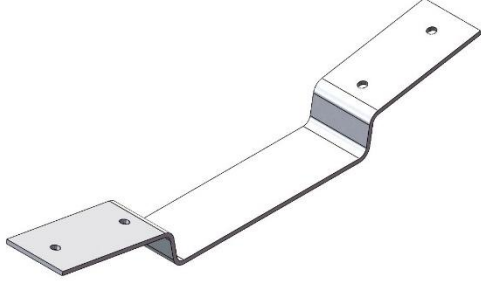
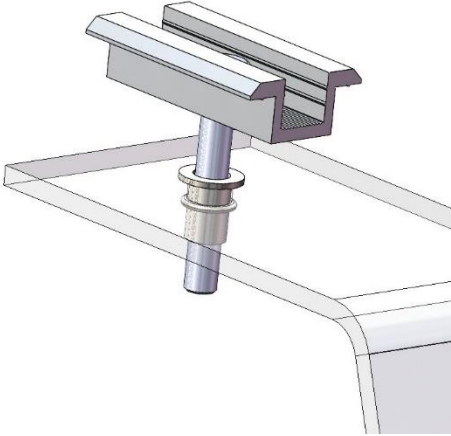
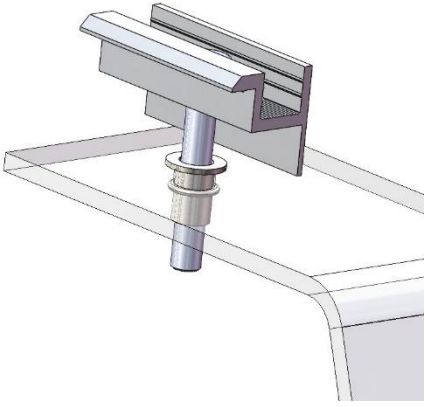


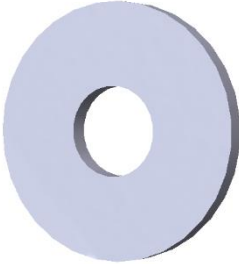

### 1.3 System design:



The standard system is designed for normal wind strength and normal snow load.

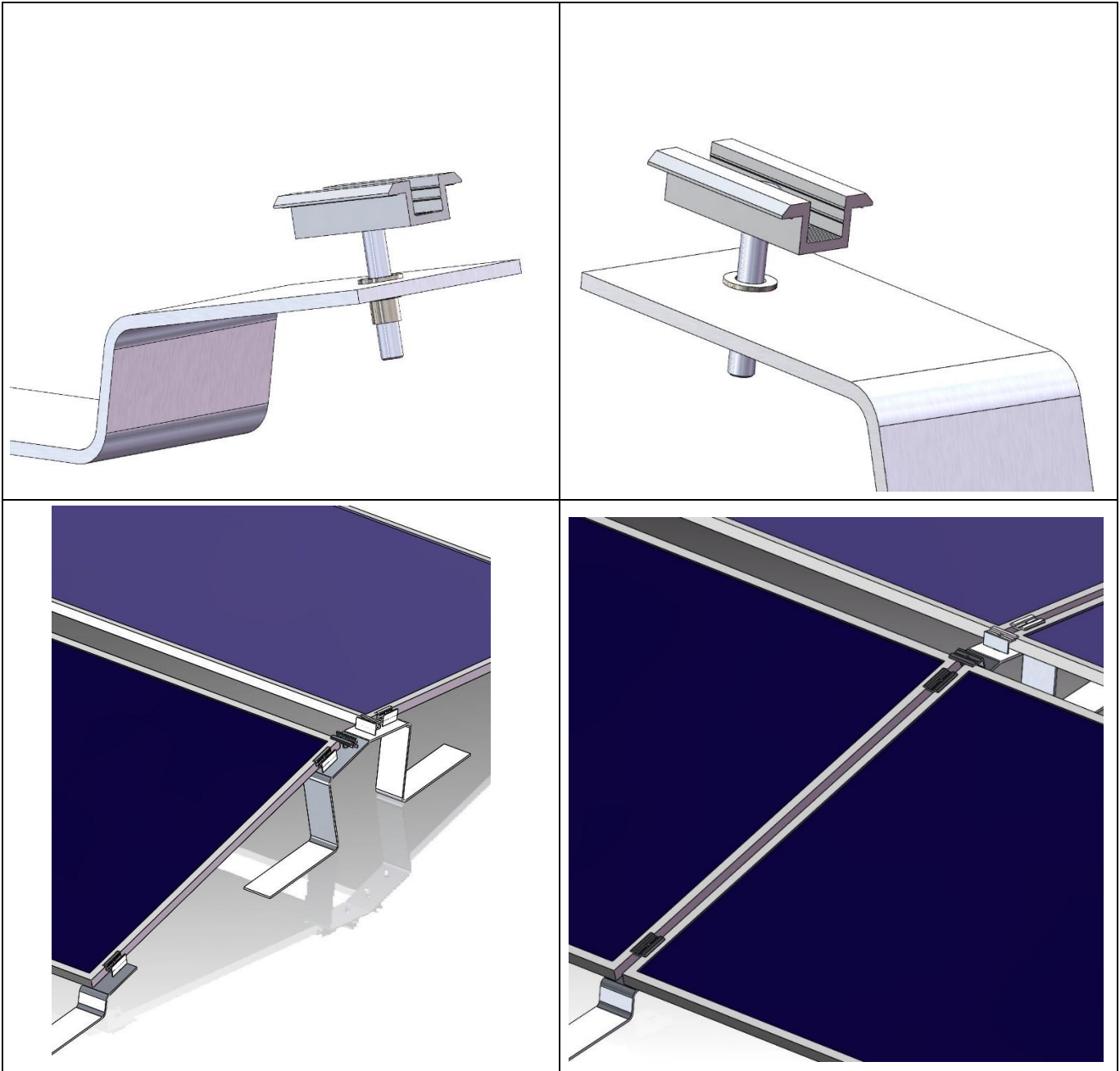


## 1.4 Parts used in the system:

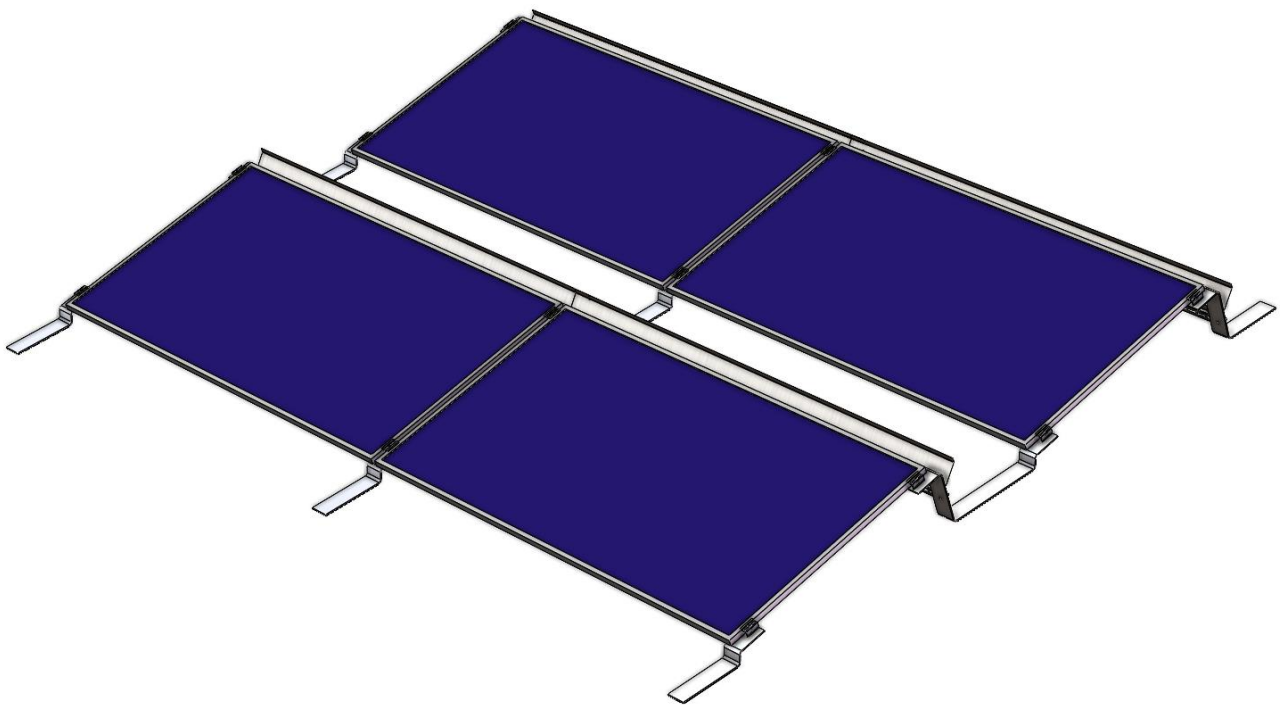
<p>Front part</p> 	<p>Top part</p> 	<p>Bottom part</p> 
<p>Module mid clamp (KR16)</p> 	<p>Module end clamp (SR30, SR35)</p> 	<p>Ballast tray (900,1800,2050,2300)</p>  <p>Width: 250, 300 mm</p>
<p>DIN 7976 8x16</p> 	<p>DIN 9021</p> 	<p>Rivet nut M8x18,5</p> 

## 1.5 Modul clamps

Correct installation of clamps into aluminium parts.



## 2. South configuration



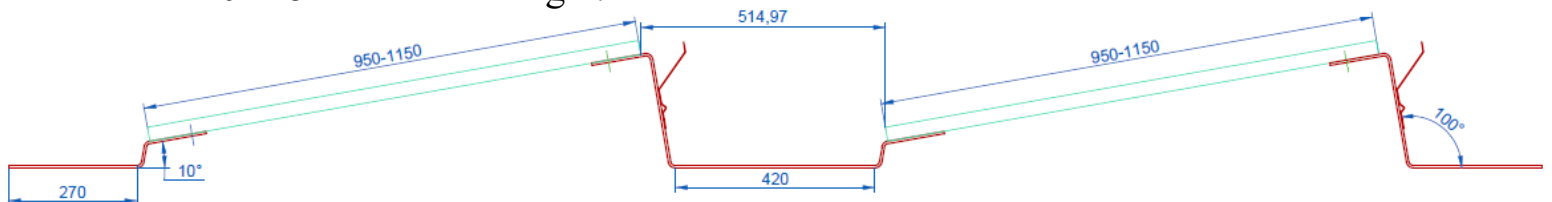


## 2.1 System properties:

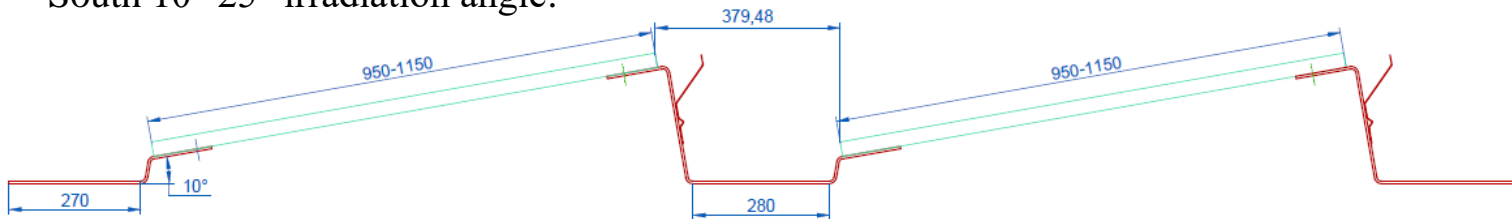
- Mounting angles: 5°, 10°, 15°
- Modul dimensions: 950-1150 mm x 1500-2250 mm (width x length)
- Modul frame height: 30-46 mm
- Max roof pitch: 5°
- Materials: aluminium mounting system 5754H111, aluminium clamps 5754H111, stainless steel A2 bolts and washers, wind shields, ballast trays S220GD-ZM175

## 2.2 System spacing:

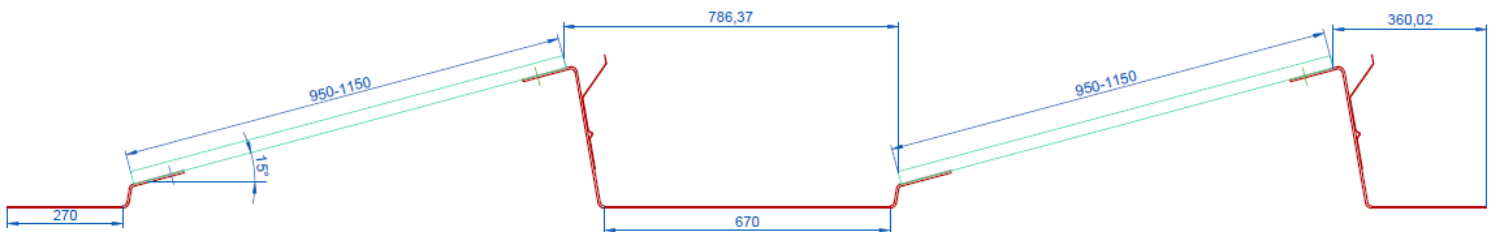
South 10° 18° irradiation angle:



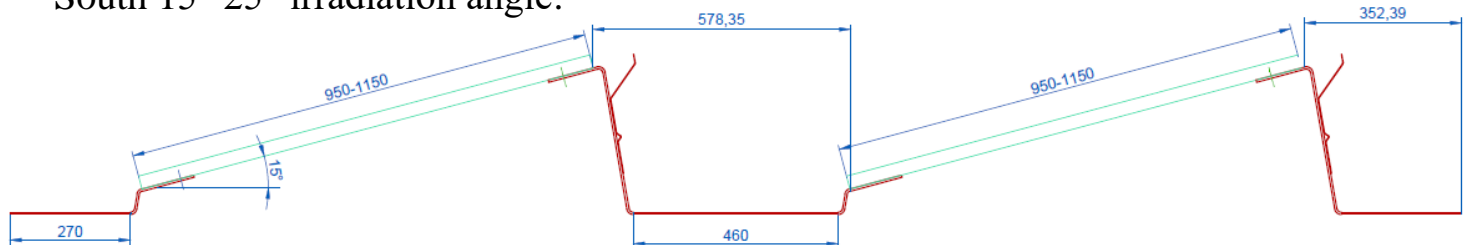
South 10° 25° irradiation angle:



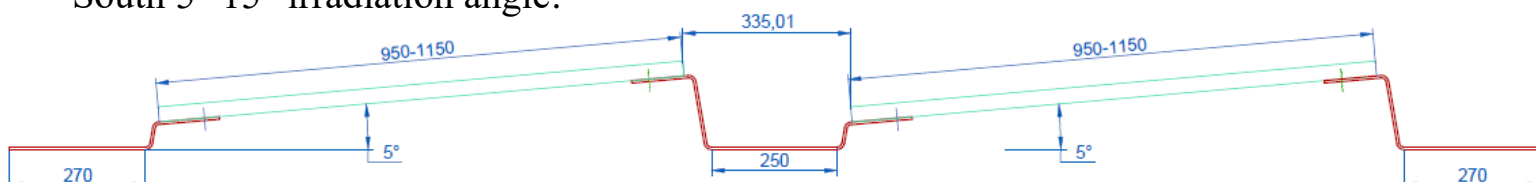
South 15° 18° irradiation angle:

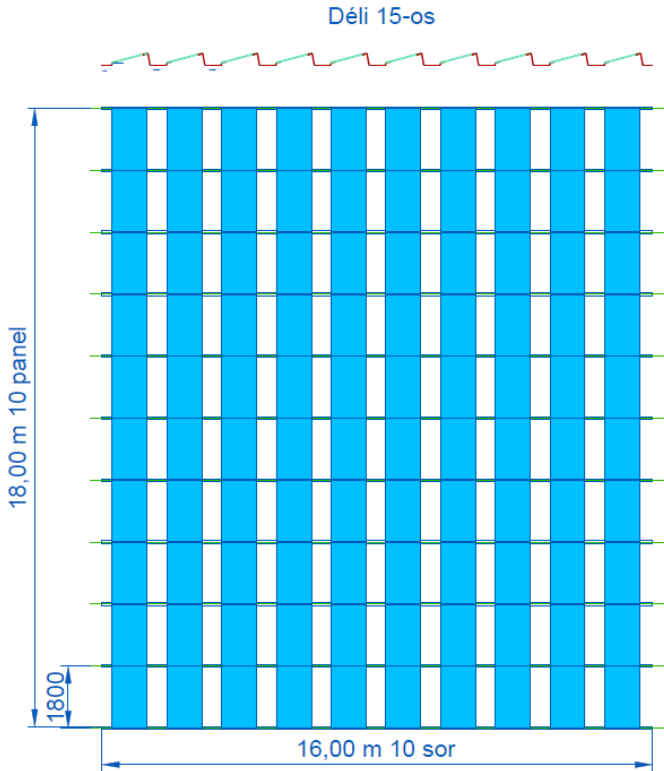


South 15° 25° irradiation angle:



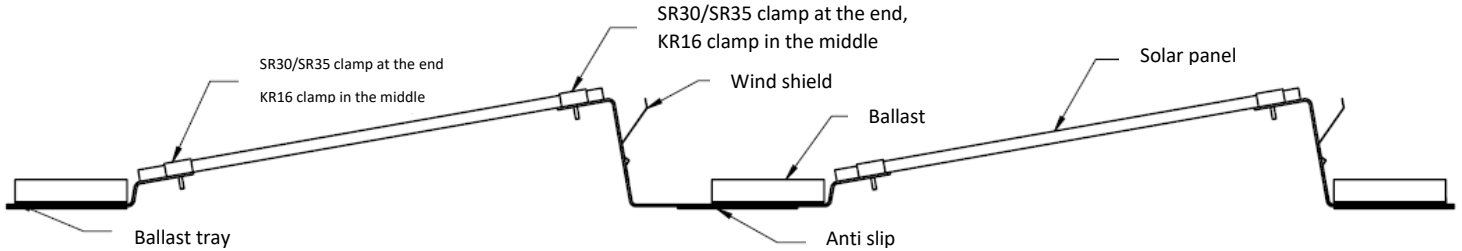
South 5° 15° irradiation angle:





The flat roof solar panel structure manufactured by MEZŐSTAHL can be installed in a variable arrangement. This means optimal use of the available roof surface.

### 2.3 System design:

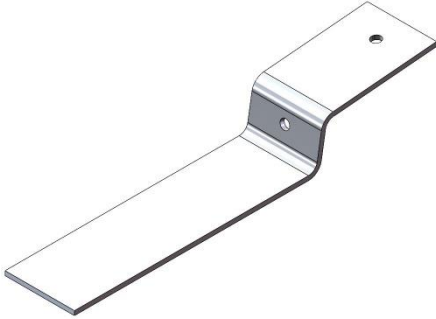


The standard system is designed for normal wind strength and normal snow load.

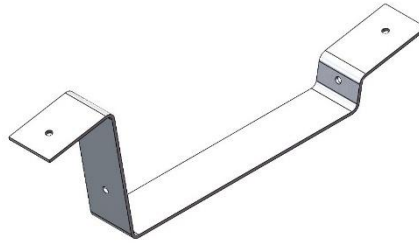


## 2.4 Parts used in the system:

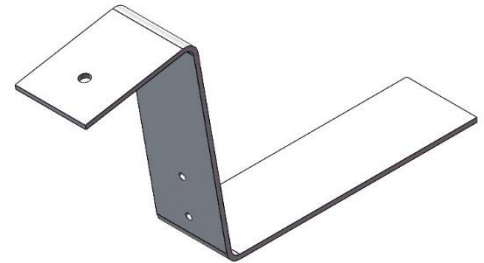
Front part



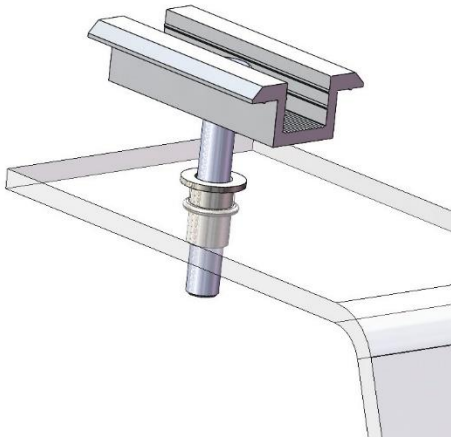
Top part



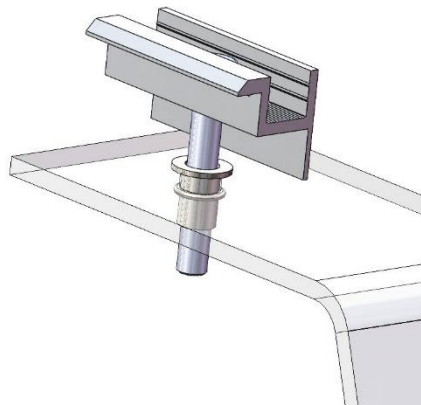
Bottom part



Modul mid clamp (KR16)



Modul end clamp (SR30, SR35)



Ballast tray (900,1800,2050,2300)



Width: 250, 300 mm

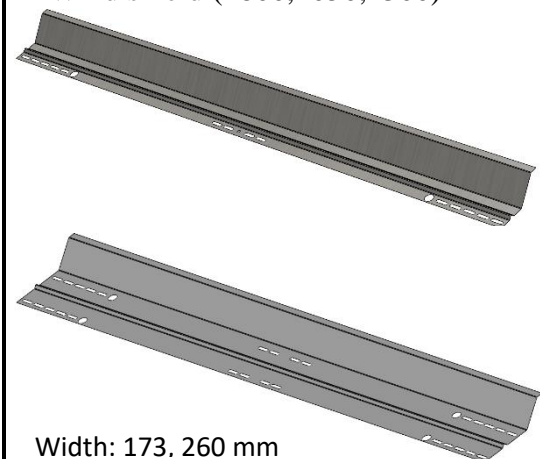
DIN 7976 8x16



DIN 9021



Wind shield (1800,2050,2300)



Width: 173, 260 mm

## 2.5 Modul clamps:

Correct installation of clamps into aluminium parts.

