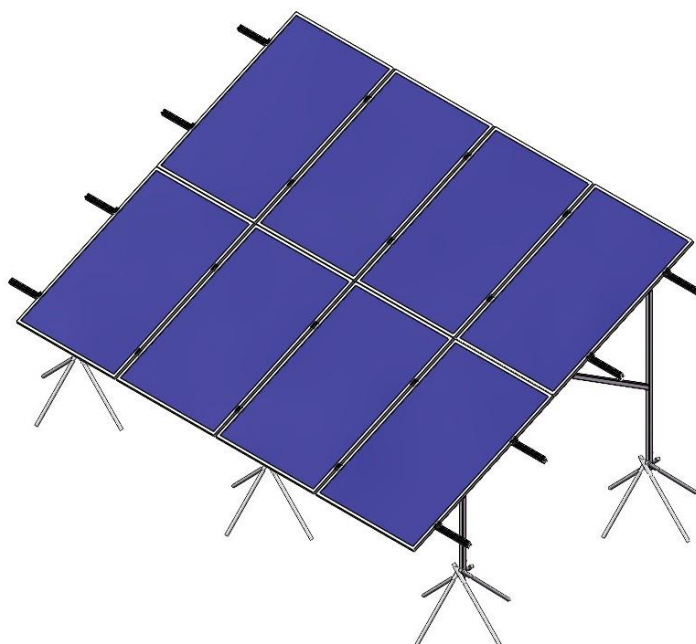
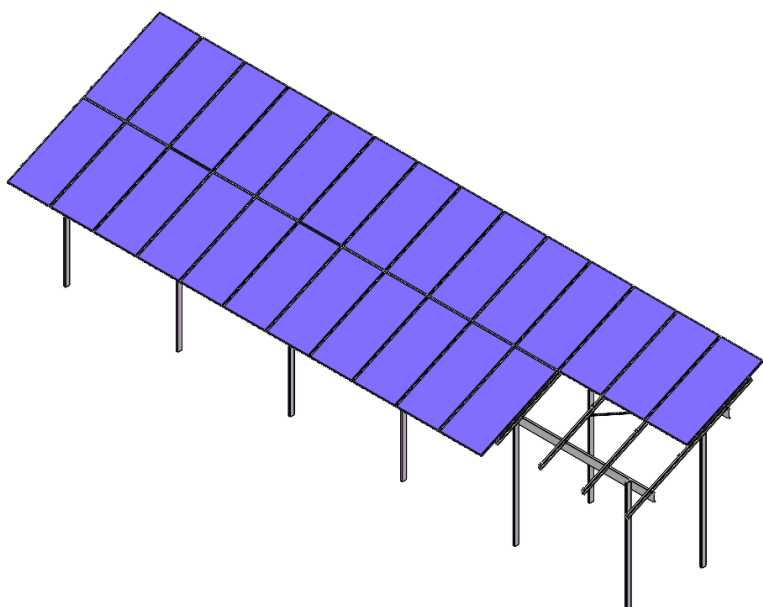
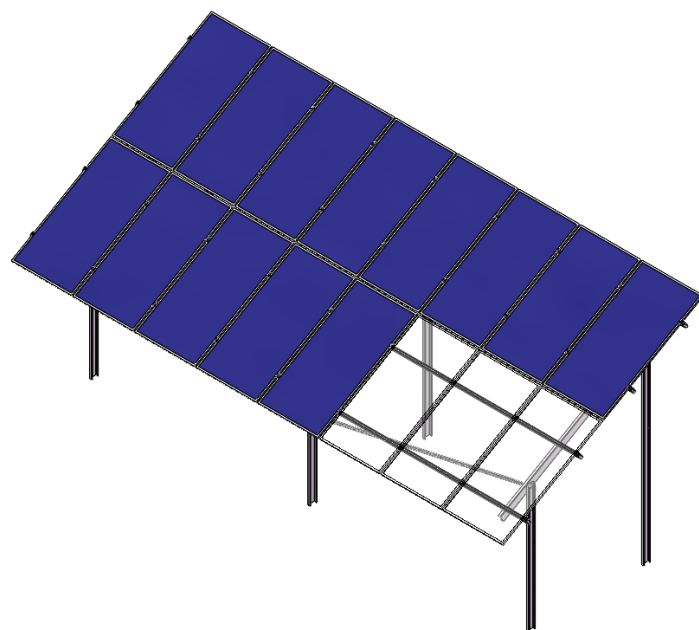
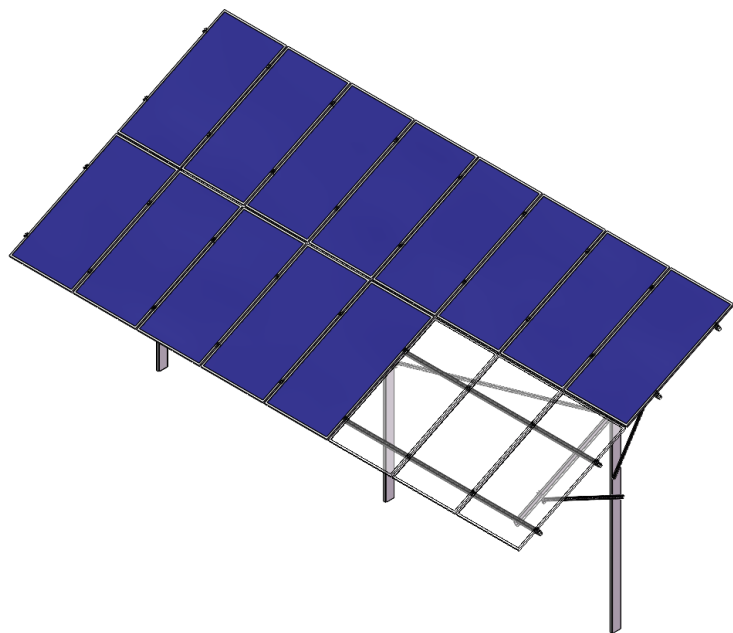


# MEZÖSTAHL

Ground-mounted photovoltaic systems in 1 or 2 pole and anchored configurations

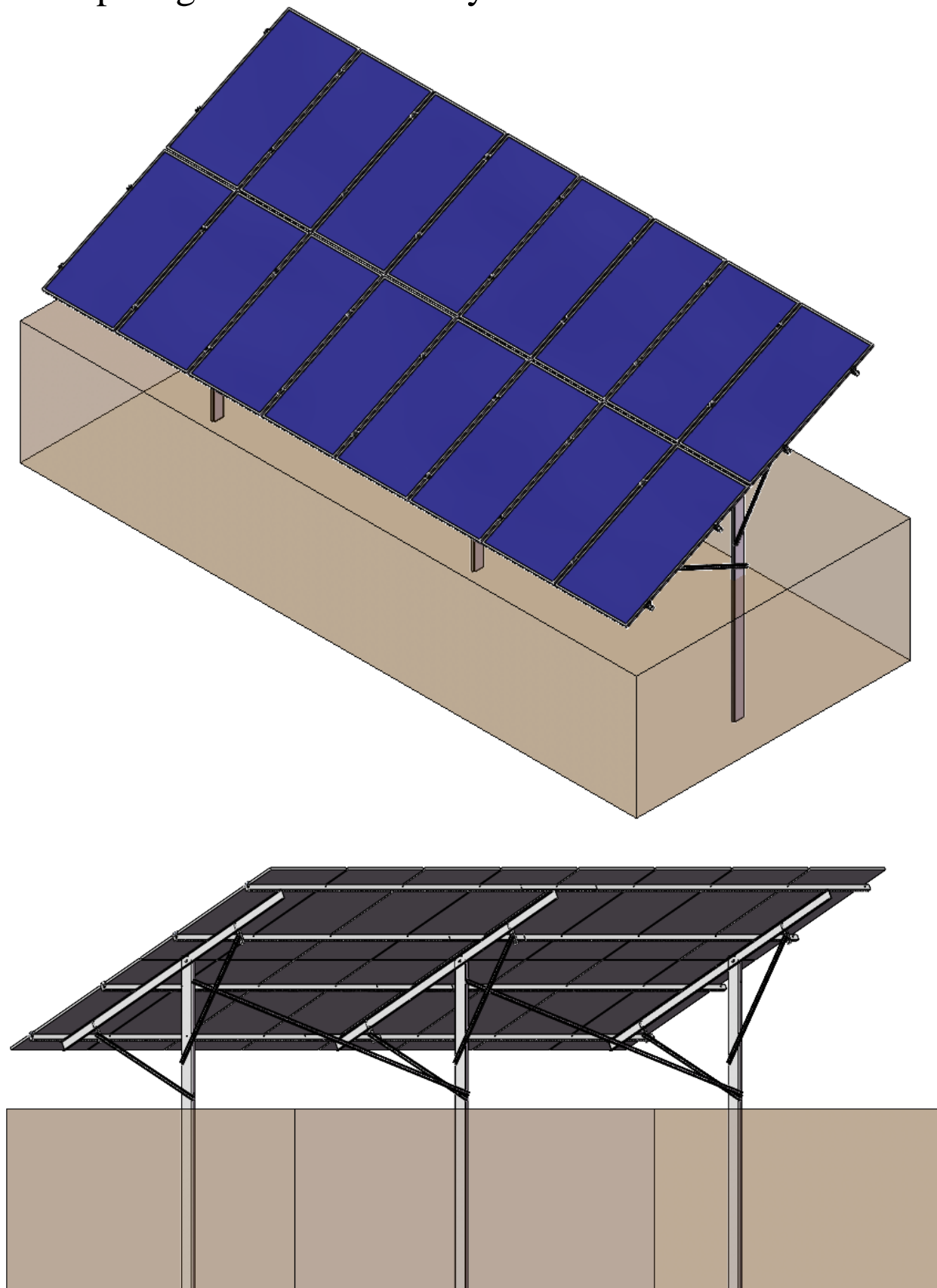




## Table of contents

1.	One pole ground mounted system.....	1
1.1	System parts:.....	2
1.2	Longitudinal beam splicing:.....	3
1.3	Installing solar panels on single-pole systems: .....	4
2.	Two pole ground mounted system:.....	4
2.1	System parts:.....	5
2.2	Longitudinal beam splicing:.....	6
2.3	Installing solar panels on two-pole systems:.....	7
3.	Anchored support structure:.....	8
3.1	System parts:.....	9
4.	Two-legged support for straight and sloping terrain.....	11
4.1	Components of two legged structure intended for straight and sloping terrain: .....	12
4.2	Splicing of length support:.....	13

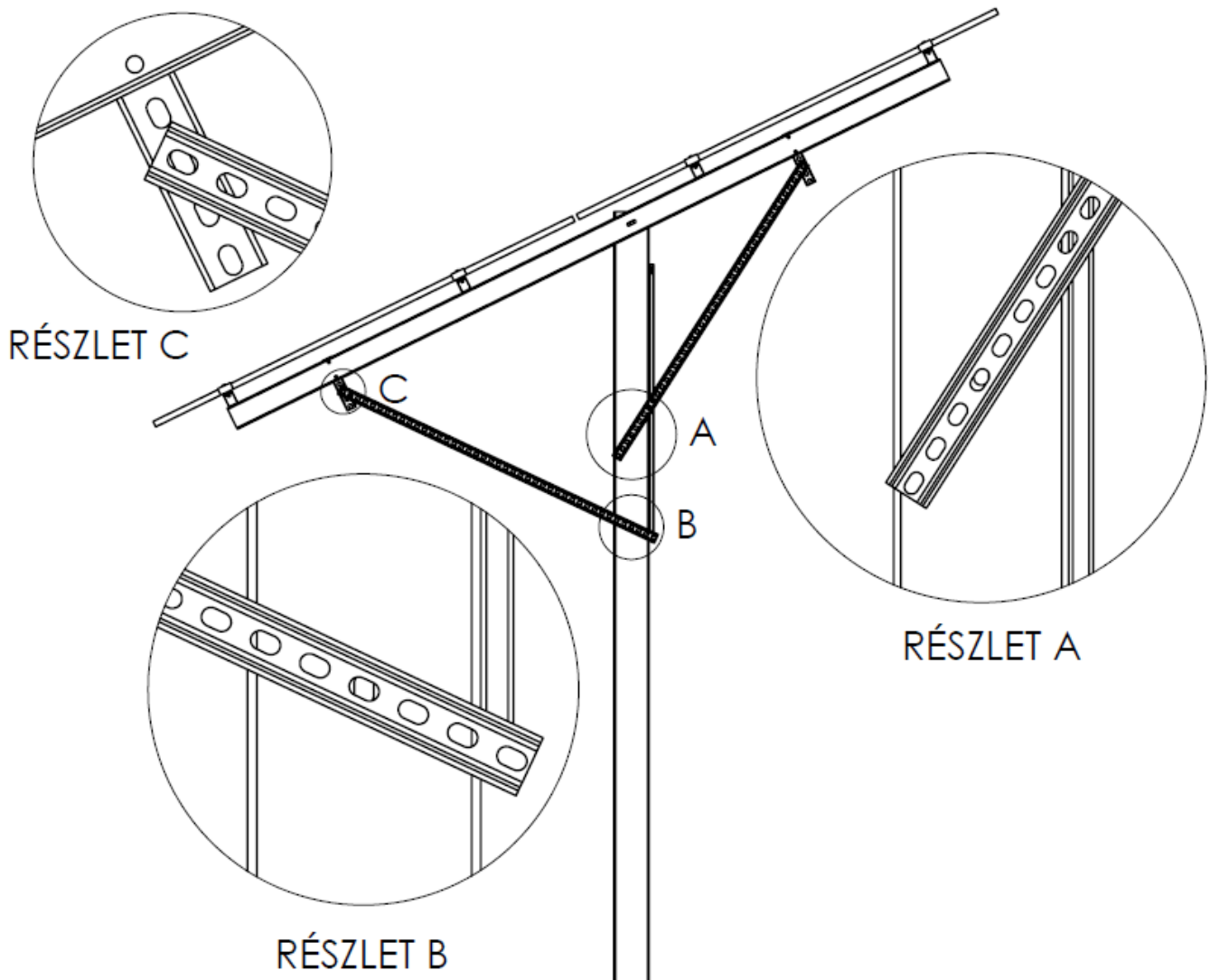
## 1. One pole ground mounted system



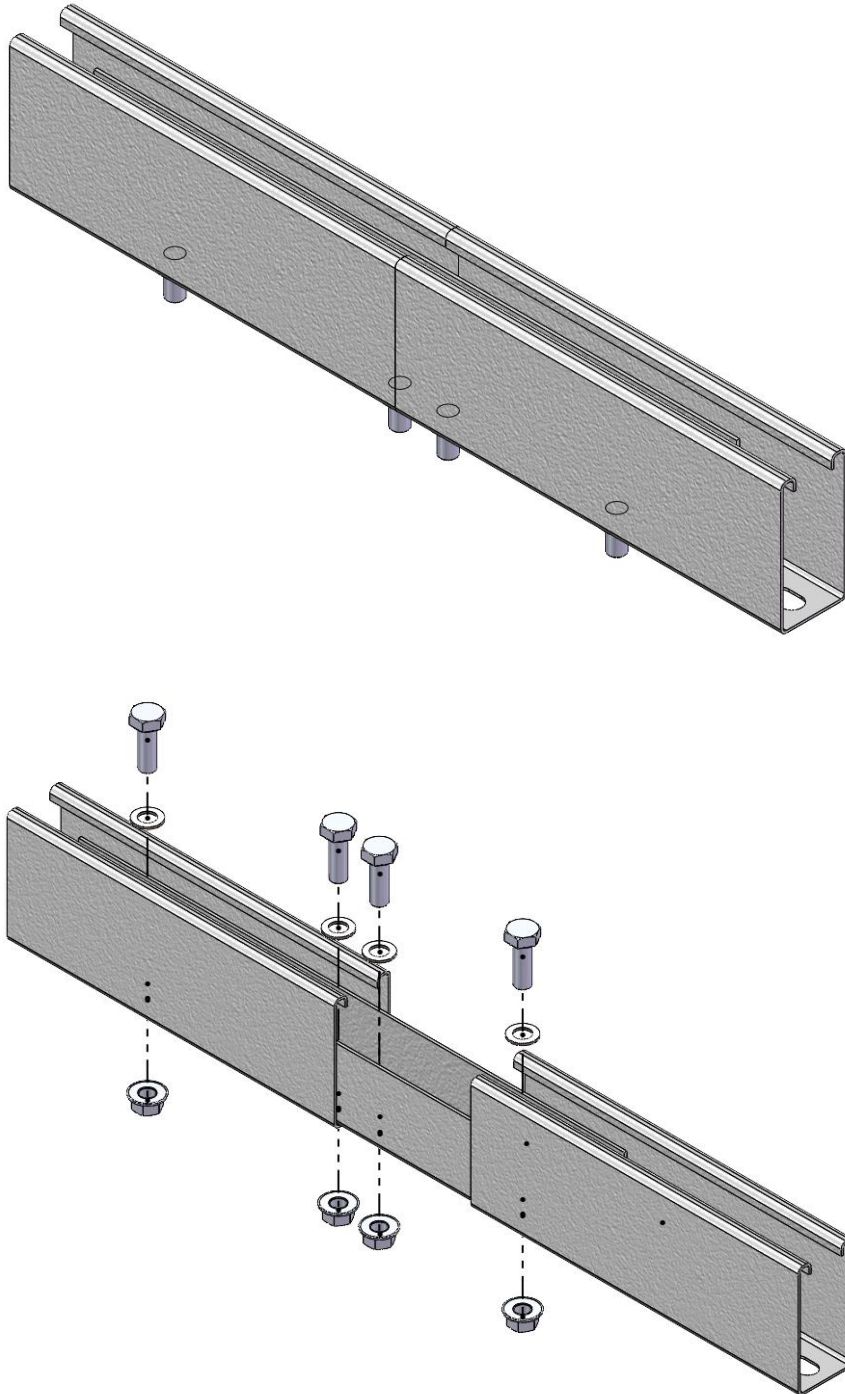
## 1.1 System parts:

- Beam: U100x30x3,0
- Pole: C150x45x15x3,0
- Longitudinal beam: P6241L, P8241L
- Reinforcement profile: P2141L, P4141L

Our single-pole systems provide exceptional positionability to find the most ideal tilt angle thanks to the grooves along the entire length of the braces. These systems are adapted to solar panels of different dimensions in two sizes. The structure is made of Magnelis material.

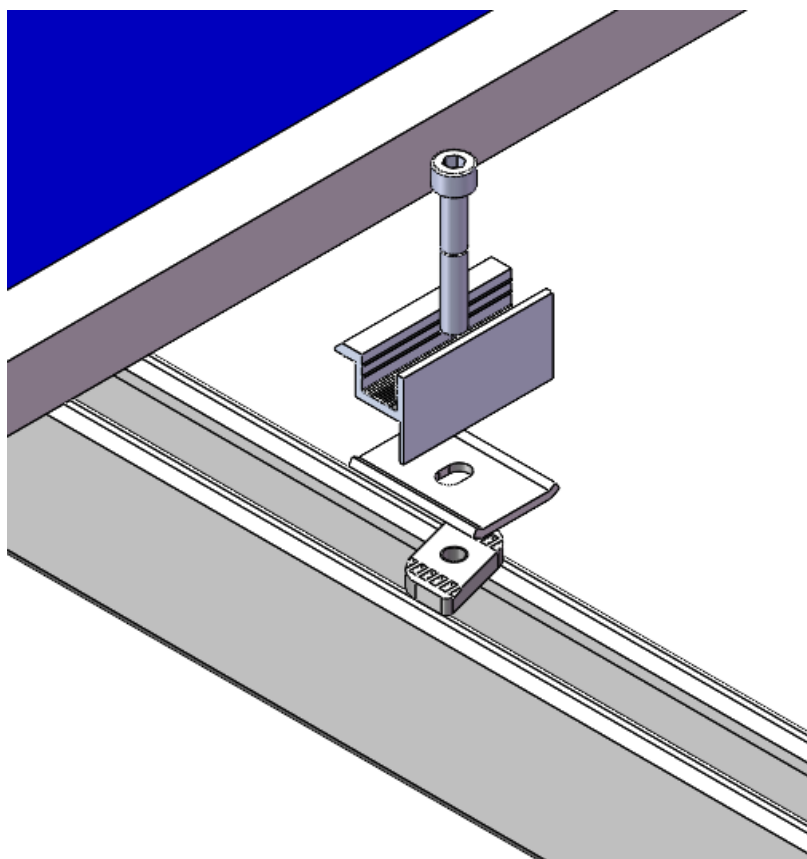


## 1.2 Longitudinal beam splicing:



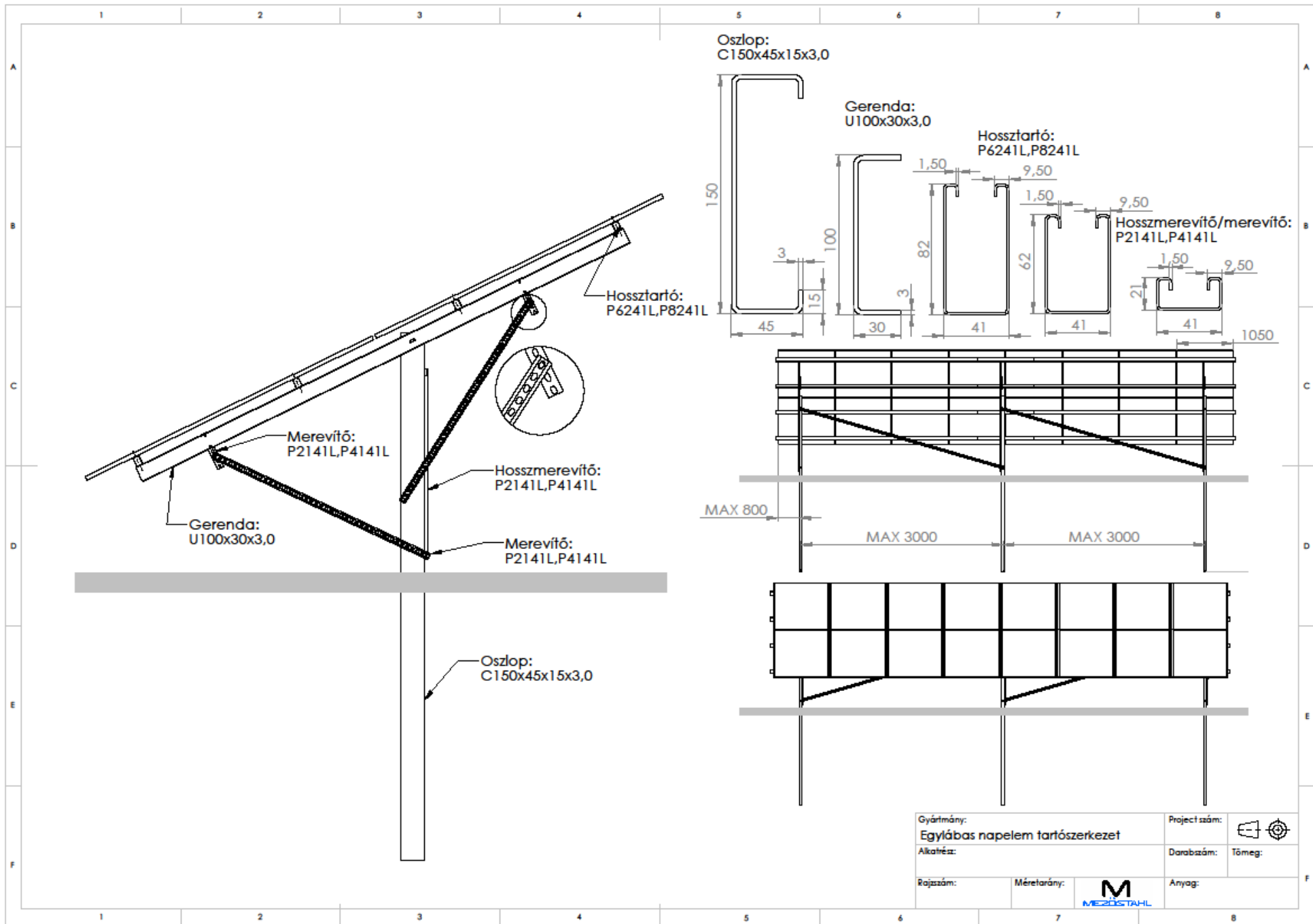
Lengthening can be done using a perforated U profile, M10 hex screws and DIN6923 M10 flanged nuts.

### 1.3 Installing solar panels on single-pole systems:



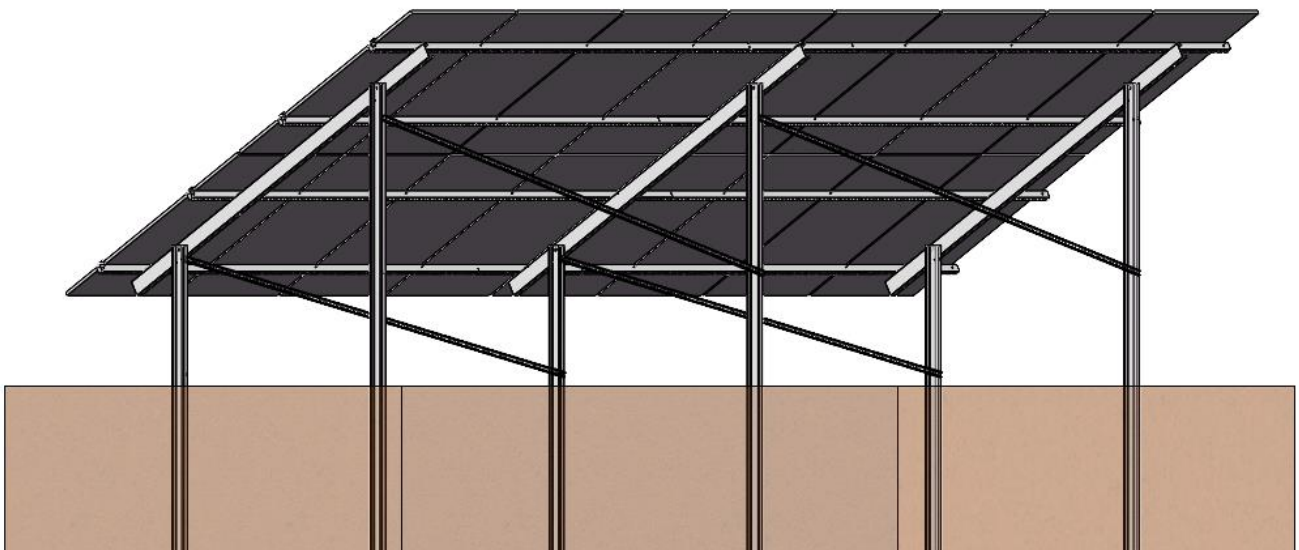
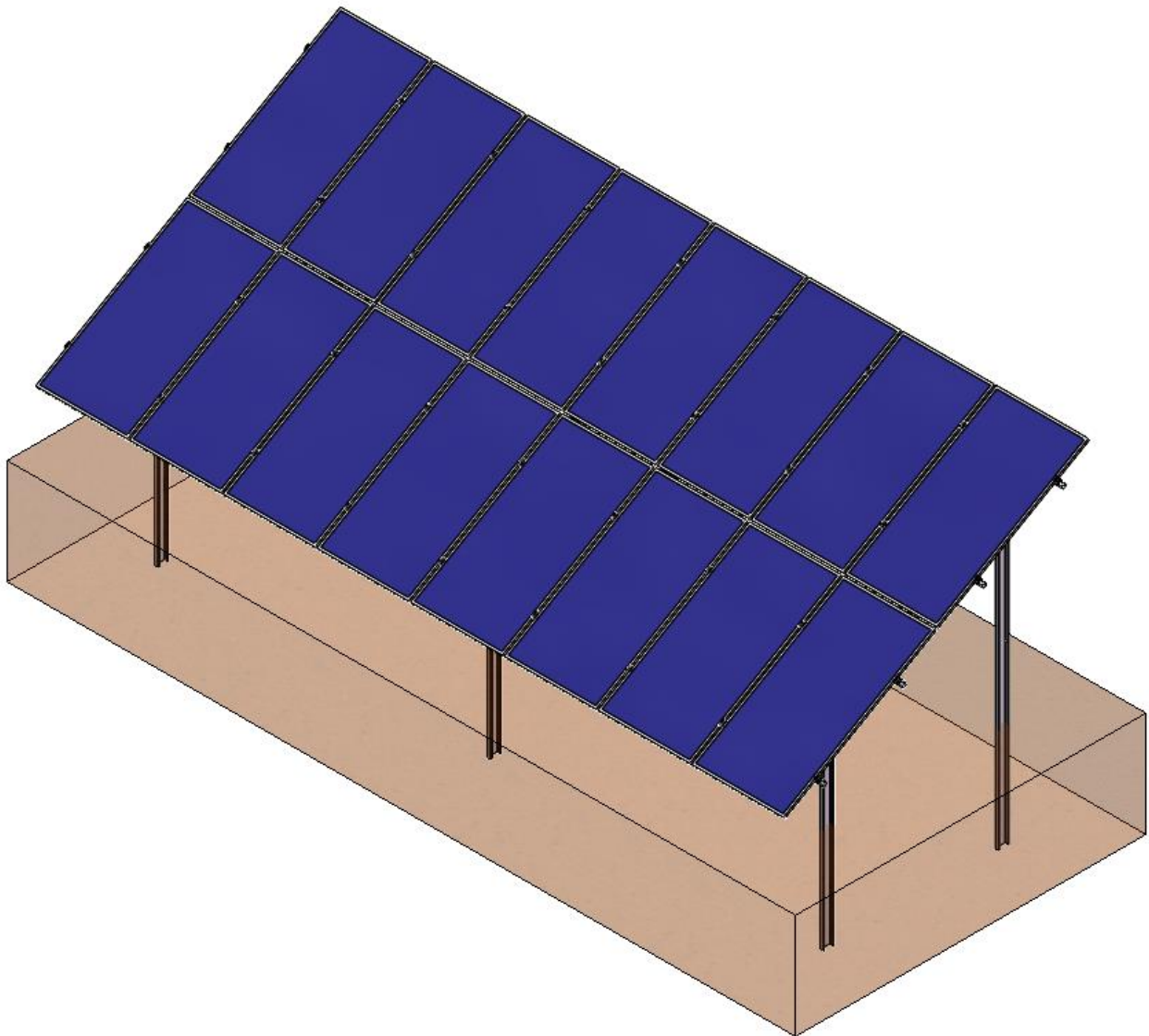
#### Required parts:

- Sliding nut
- DIN 912 M8x50 bolt
- SR30/35 aluminium clamp
- Washer plate





## 2. Two pole ground mounted system:

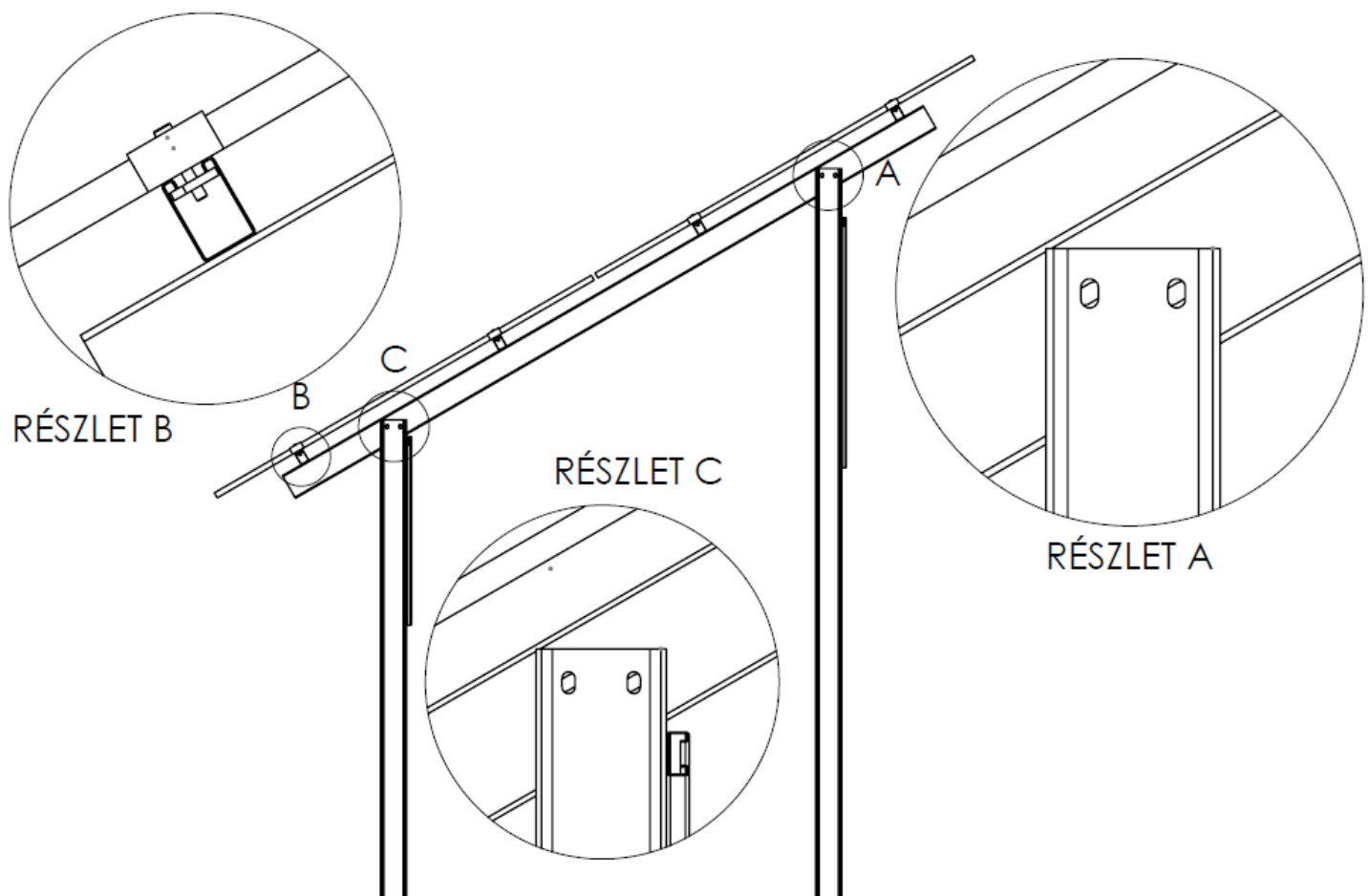




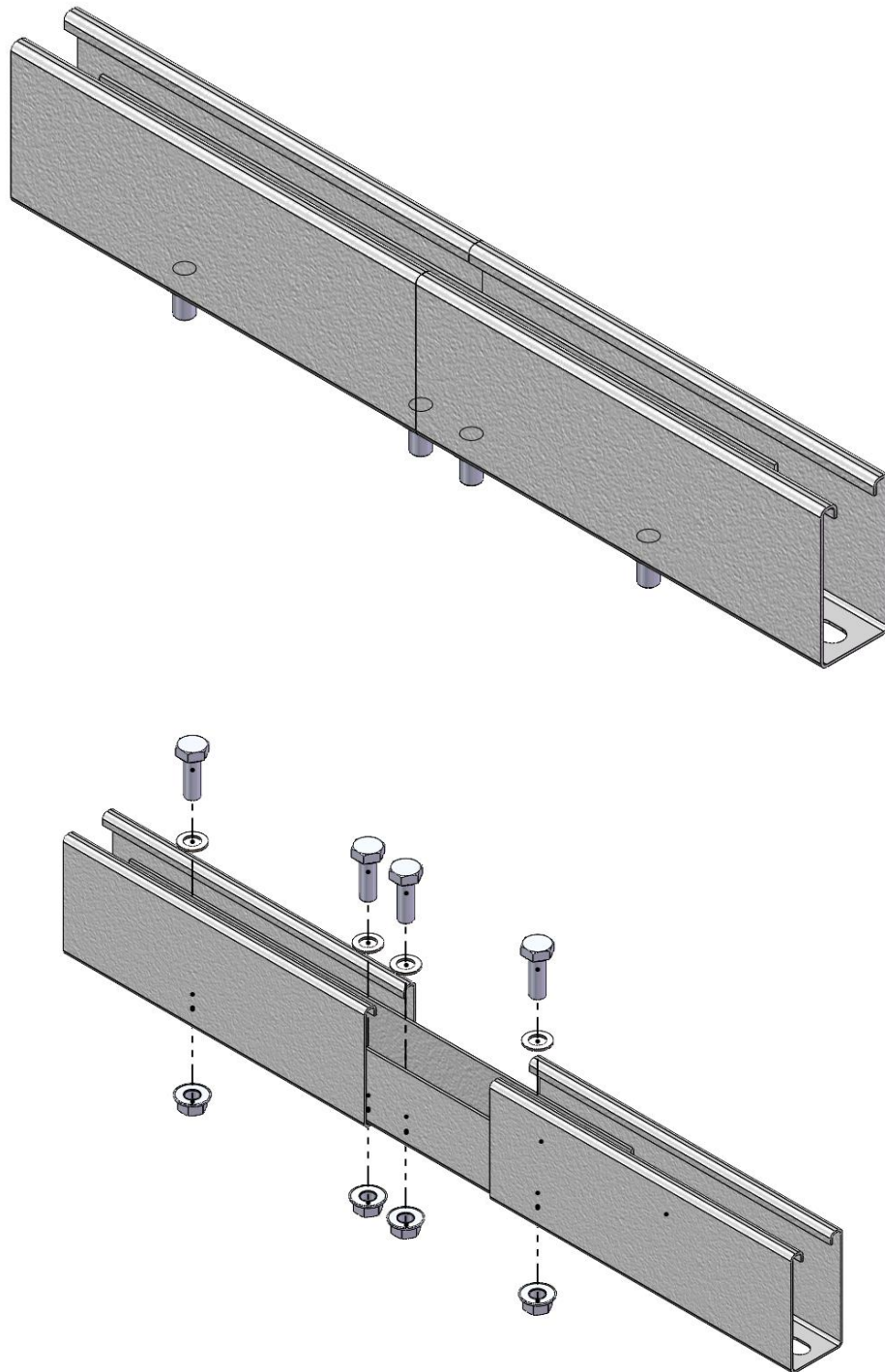
## 2.1 System parts:

- Beam/pole: C120x45x15x2,0/C120x45x15x3,0
- Longitudinal beam: P6241L, P8241L
- Reinforcement profile: P2141L

Our two-legged photovoltaic systems are also available in two sizes due to the sizes of the different solar panels. Originally, the structures are made with an angle of 25°, but it is also possible to manufacture brackets with a, unique angle of inclination if required. In standard condition, the support structure is made of a 2 mm thick profile, but if required, it can be arranged that the legs are made of 3 mm thick material. The structure is made of Magnelis material.

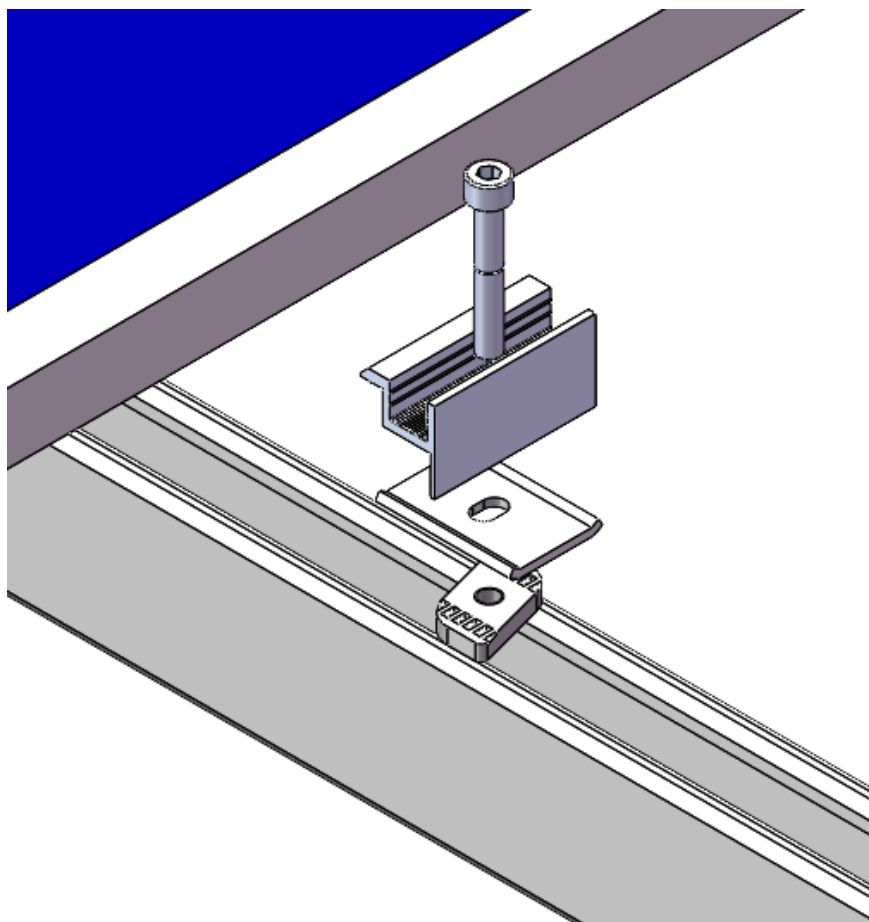


## 2.2 Longitudinal beam splicing:



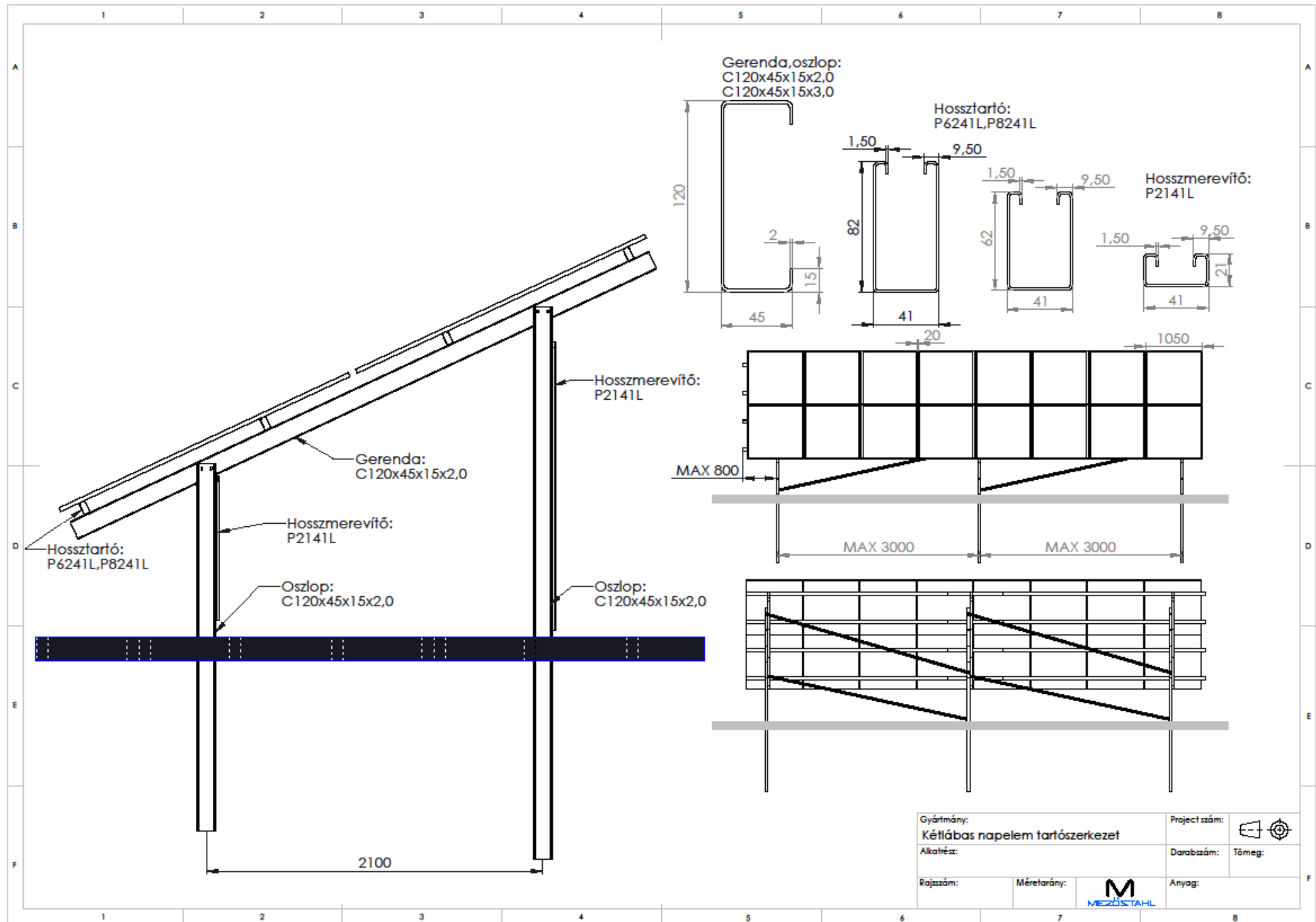
Lengthening can be done using a perforated U profile, M10 hex screws and DIN6923 M10 flanged nuts.

### 2.3 Installing solar panels on two-pole systems:

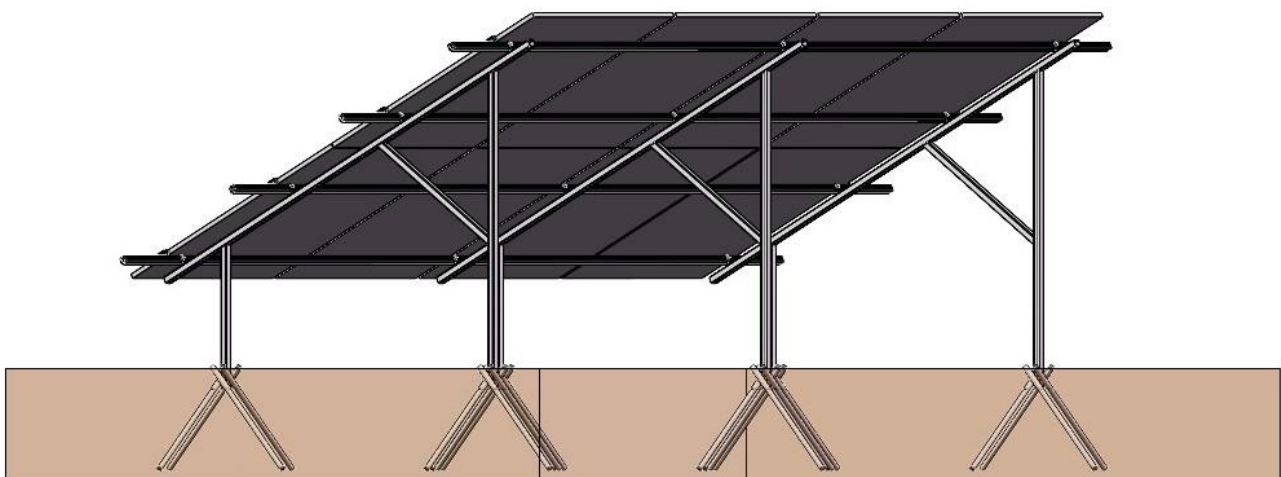
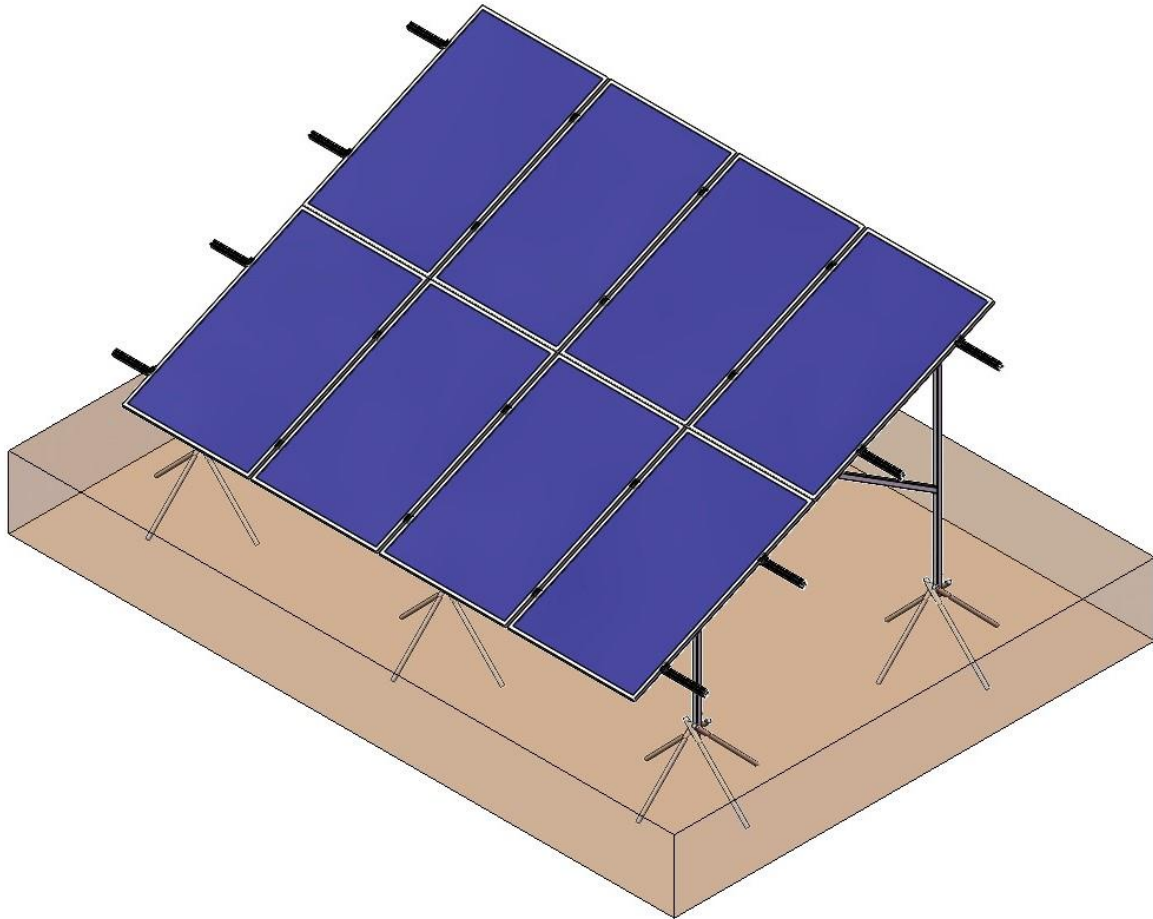


#### Required parts:

- Sliding nut
- DIN 912 M8x50 bolt
- SR30/35 aluminium clamp
- Washer plate



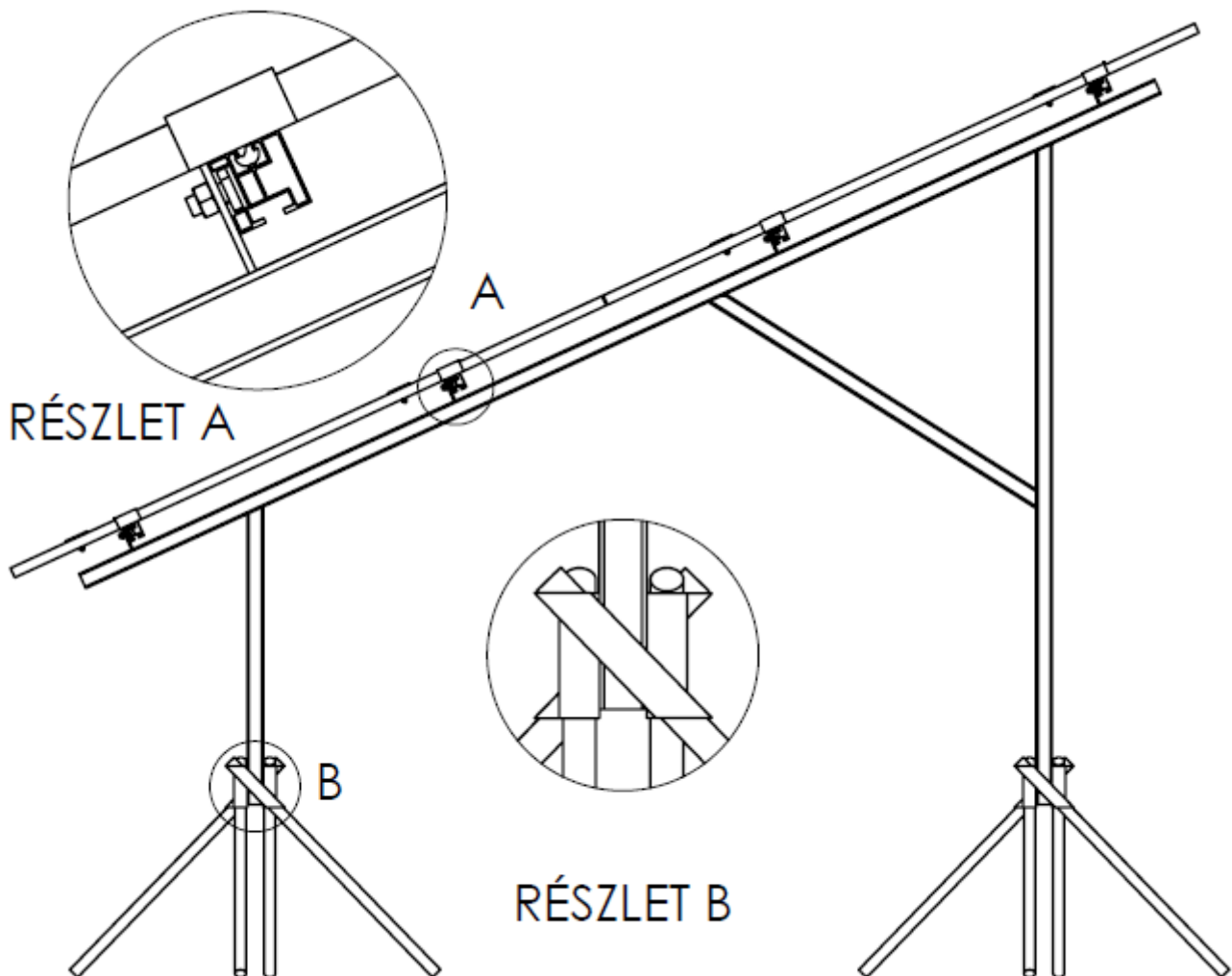
### 3. Anchored support structure:



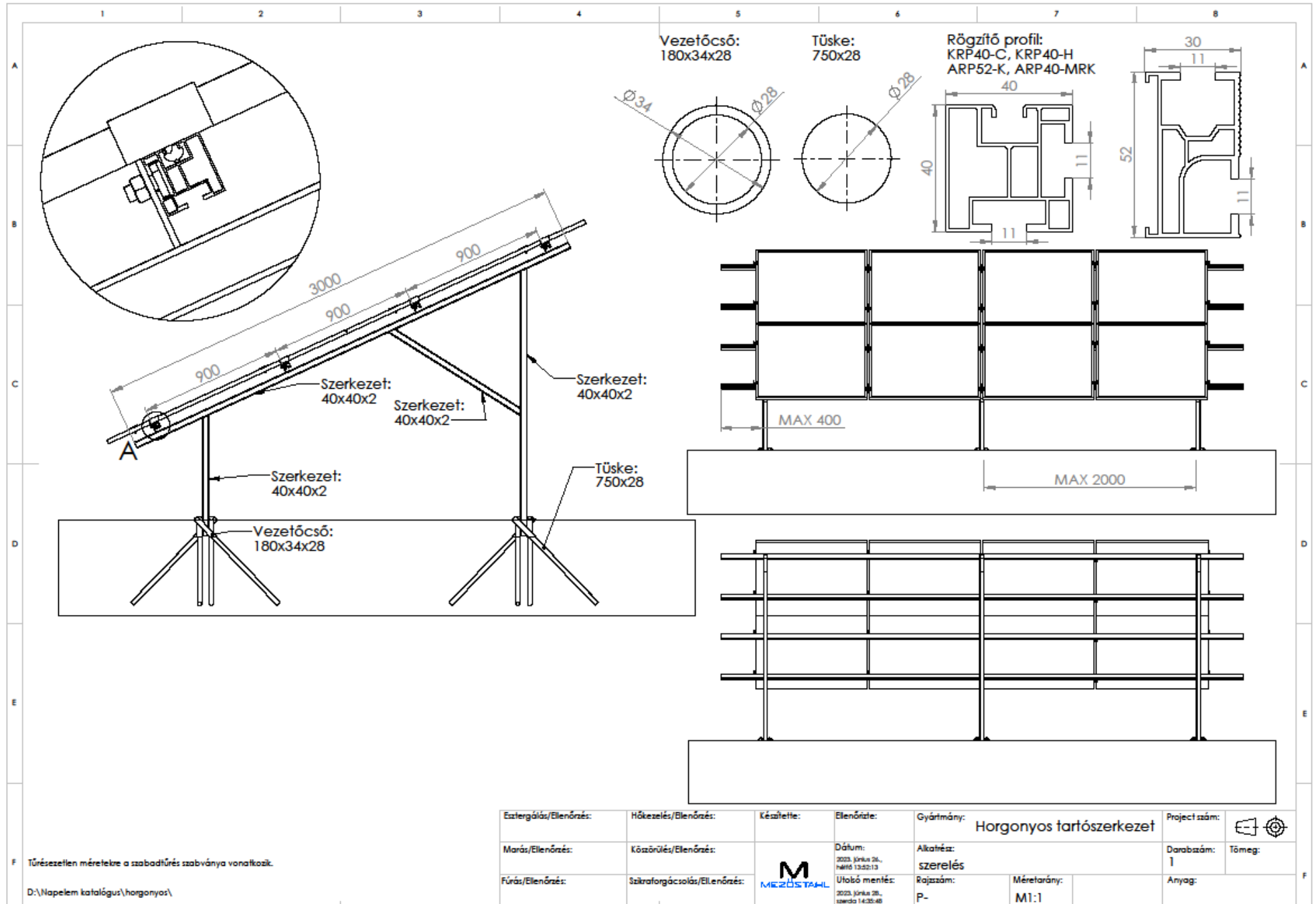
### 3.1 System parts:

- Structure: 40x40x2
- Spike: 750x $\varnothing$ 28
- Guide tube: 180x $\varnothing$ 34x $\varnothing$ 28
- Fixing profile: KRP40-C, KRP40-H, ARP52-K, ARP40-MRK

After welding, the frame structure undergoes hot-dip galvanizing in order to achieve full corrosion protection. The standard length of the spikes are 750mm, but they are also available in 1000mm lengths upon customer request. The system is available in 3000mm and 3500mm sizes. Splicing of the structure must be done with different splicing profiles belonging to the fixing profiles.



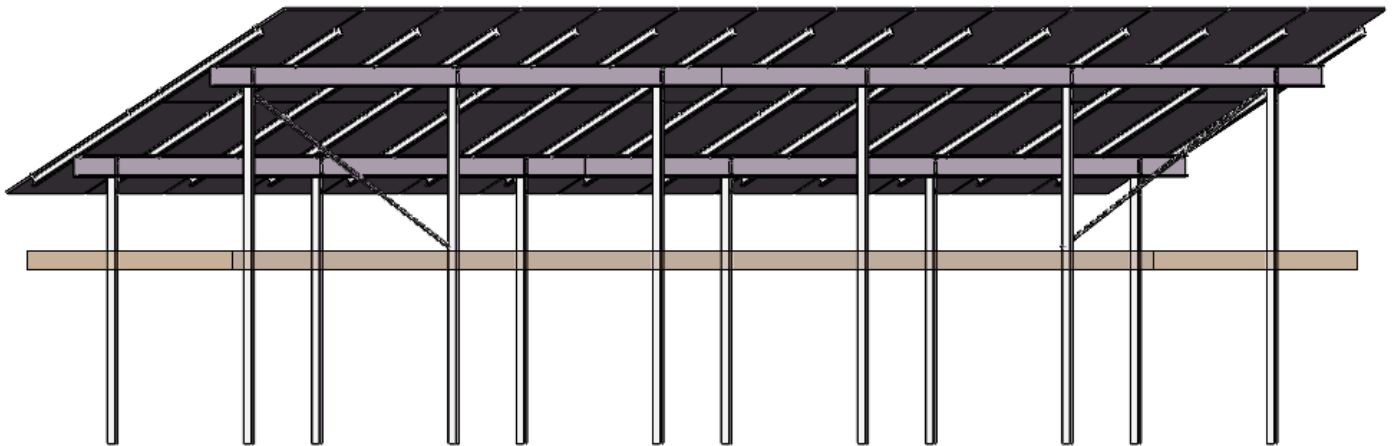
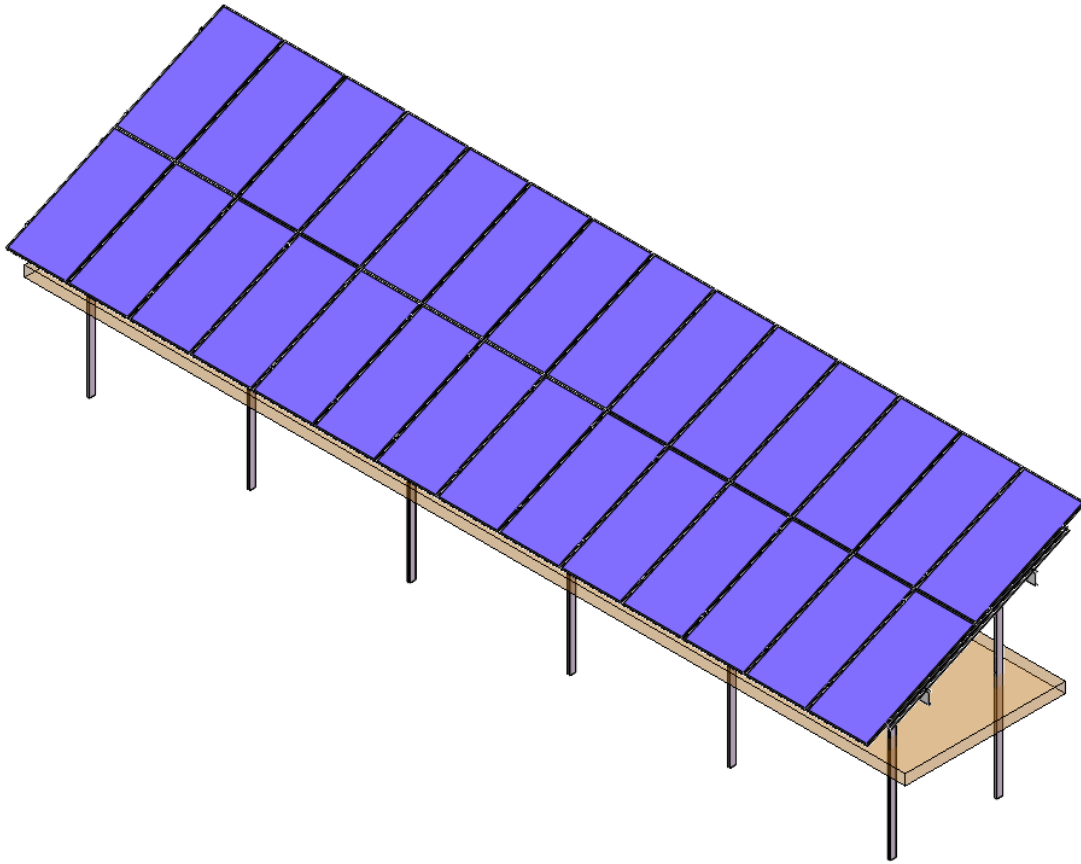




Tűrésezetlen méretekre a szabadművés szabványa vonatkozik.

D:\Napelem katalogus\horgonyos\

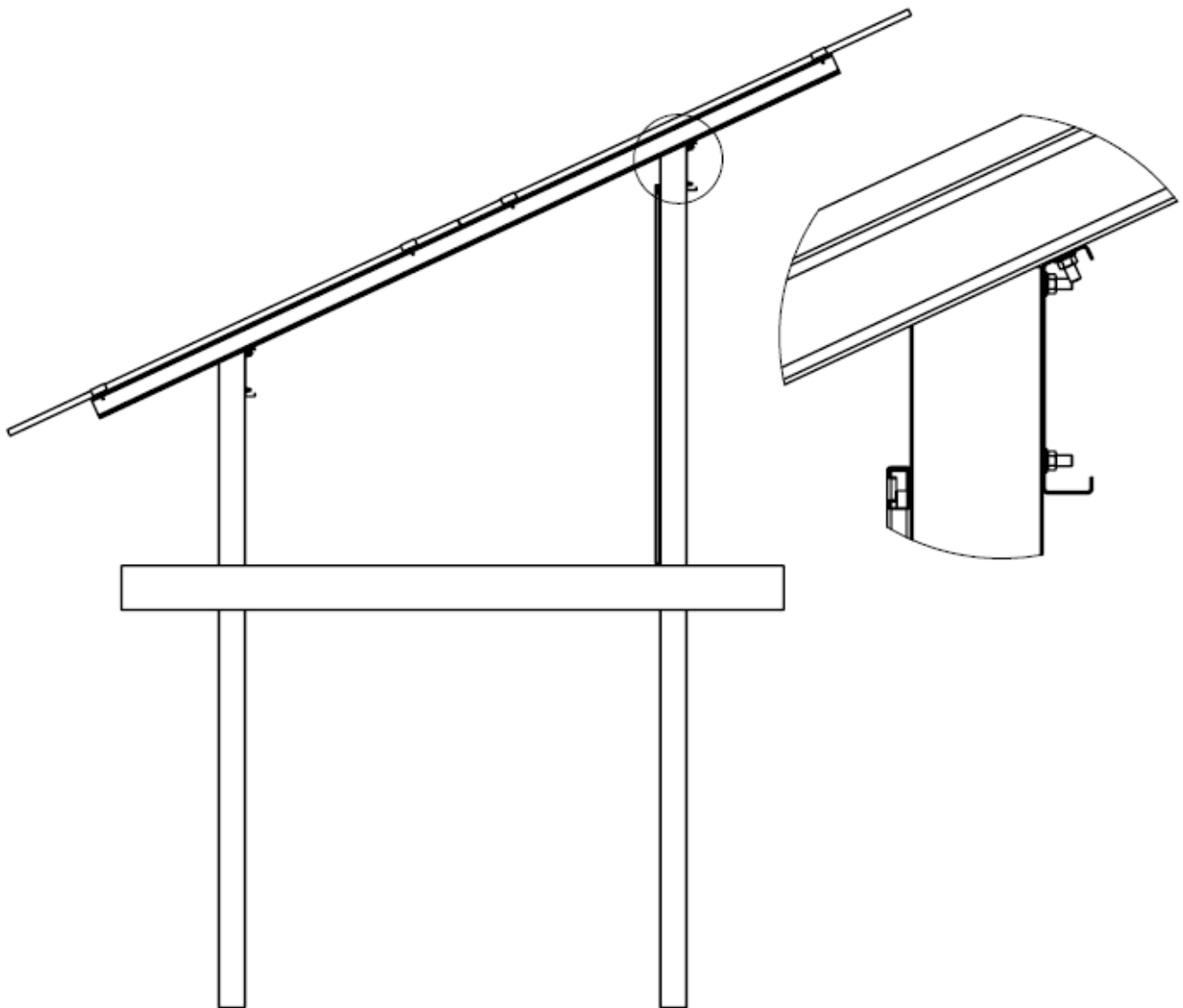
## 4. Two-legged support for straight and sloping terrain



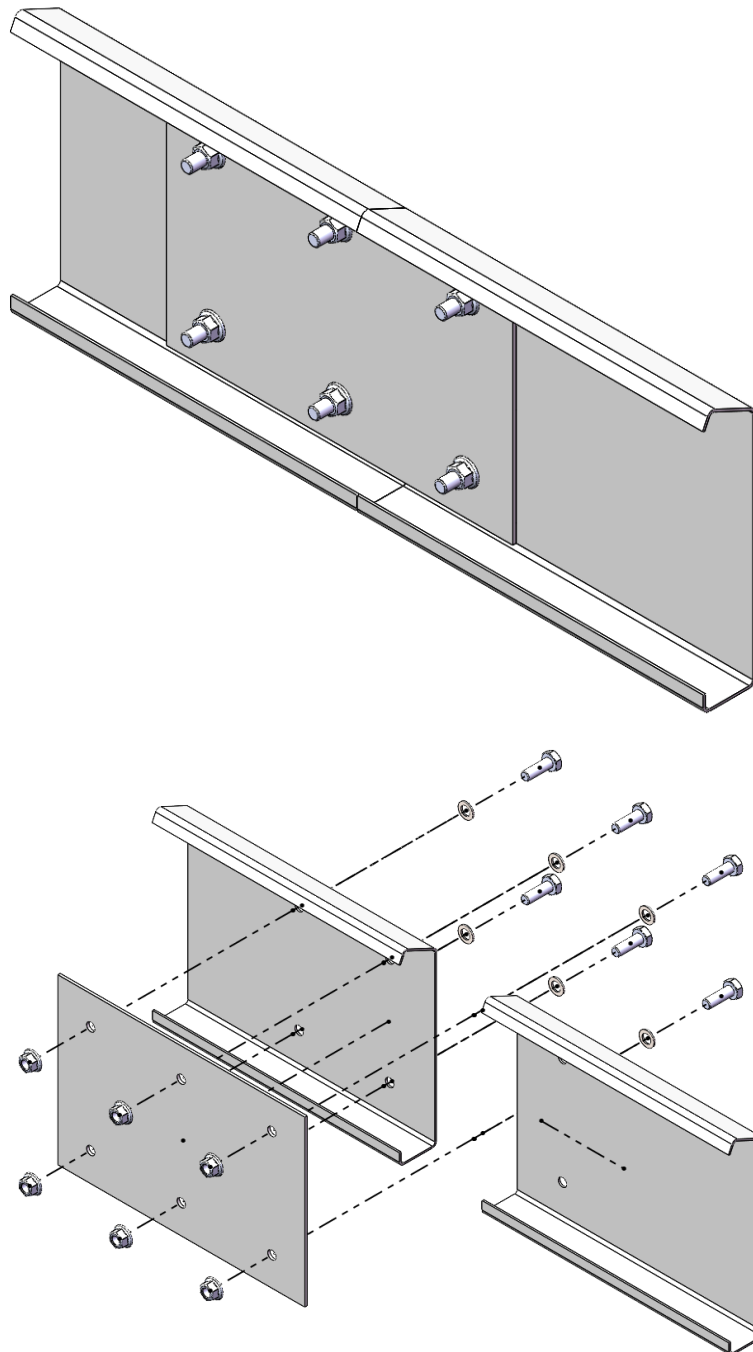
#### 4.1 Components of two legged structure intended for straight and sloping terrain:

- Beam: C100x50x15x2.0
- Column: C120x45x15x2.0/2.5/3.0
- Length support: C200x45x15x2.0
- Brace: P2141L

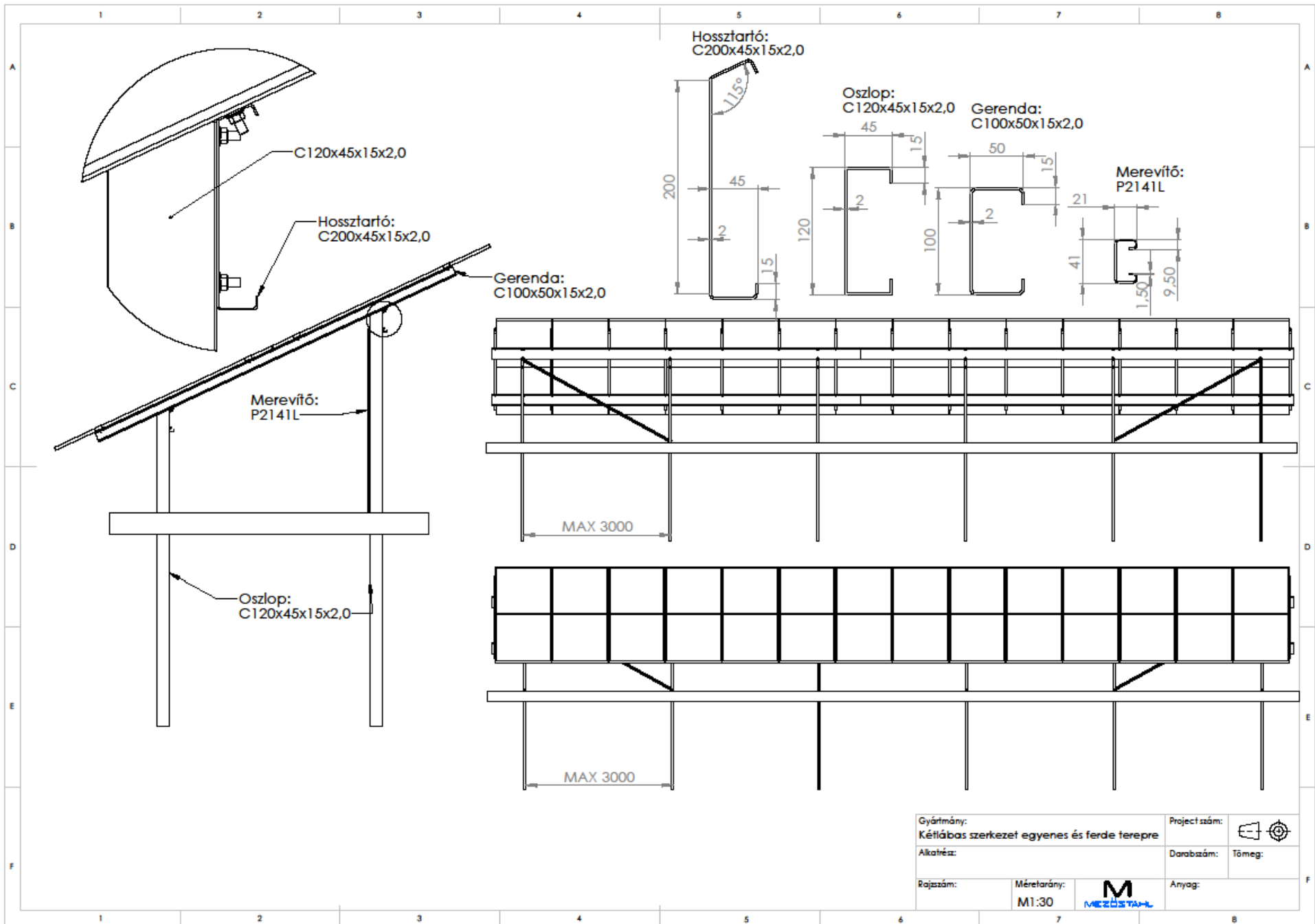
Our two-legged photovoltaic systems for sloping and straight terrain are made of 2/2.5/3 mm thick material, depending on the soil quality. They are designed to close the structure at an angle of 25°. The structure is made of Magnelis material.



## 4.2 Splicing of length support:



Splicing can be done with M10 screws and DIN 6923 hex flange M10 nut with M10 washers and 3 mm thick steel plate.



Gyártmány: Kétfébas szerkezet egyenes és ferde terepre		Project szám:	
Alkatrész:		Darabszám:	Tömeg:
Rajzsám:	Méretarány: M1:30	Anyag:	