

MEZÖSTAHL

Roofhooks and profiles for photovoltaic systems

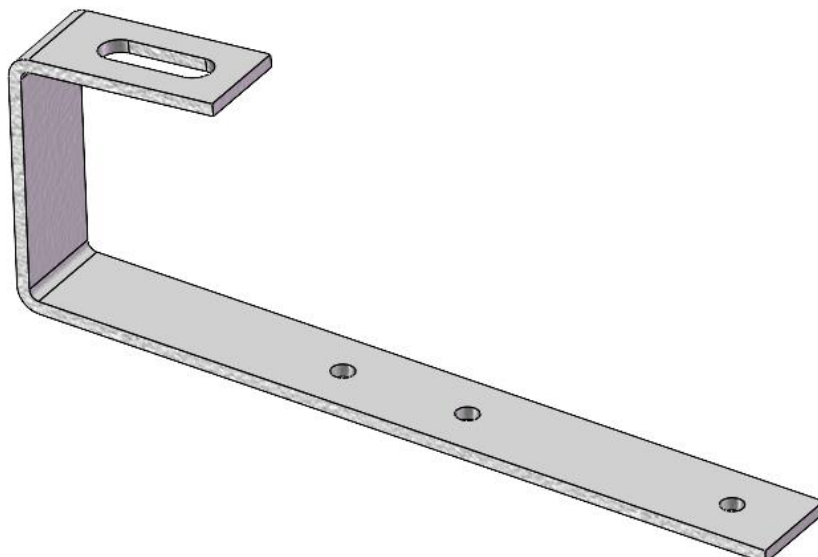
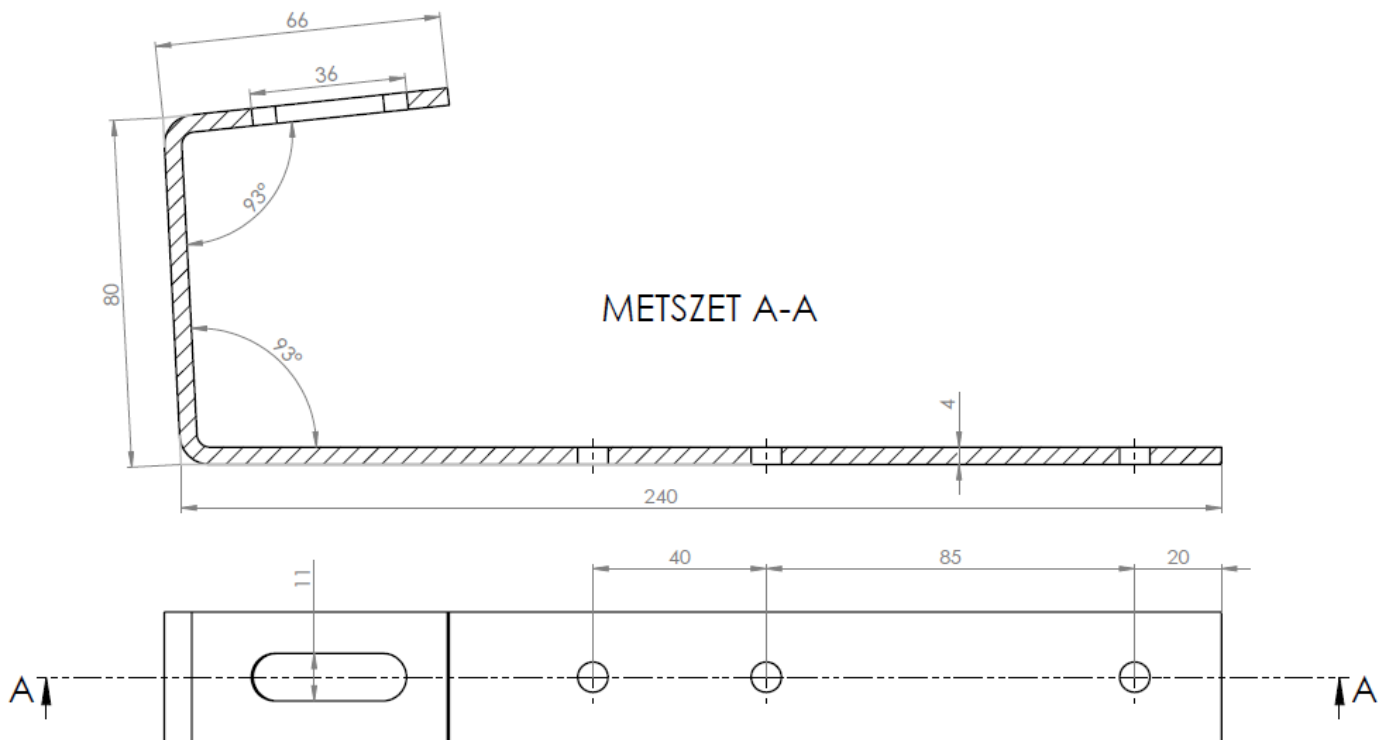
Table of contents

1.	J roofhook in fix and adjustable design:	1
1.1	Fix J roofhook: J24F	1
1.2	Side mounting J roofhook: J24O	2
1.3	Adjustable J roofhook: J24V.....	3
2.	S roofhook fix and adjustable design:	4
2.1	Fix S roofhook: S45F.....	4
2.2	Side mounitng S roofhook: S45O	5
2.3	Adjustable S roofhook: S45V	6
2.4	Variable roofhooks: S12VAR, S15VAR	7
3.	Stainless steel roofhook	8
3.1	LHF roofhook	8
4.	„Beaver tail” roofhook in fix and adjustable design:	9
4.1	Fix „beaver tail” roofhook:	9
4.2	Side mounting „beaver tail” roofhook:	10
4.3	Adjustable „beaver tail” roofhook:	11
5.	Hemminged roof attachment:.....	12
6.	Aluminium mounting profiles:.....	13
6.1	ARP40-C (Bottom mounting profile):	13
6.2	ARP40-H (Bottom mounting profile):	14
6.3	KRP40-C (Combined mounting profile):.....	15
6.4	KRP40-H (Combined mounting profile):	16
6.5	ARP52-K (Side mounting profile):.....	17
6.6	Trapezoid plate roof profile:	18
7.	Profile connectors:	20
7.1	TP40:.....	20
7.2	TP52:.....	21
7.3	TP-MRK:	22
8.	Solar panel fastener:.....	23
8.1	End fasteners:.....	23
8.2	Middle fasteners:.....	24

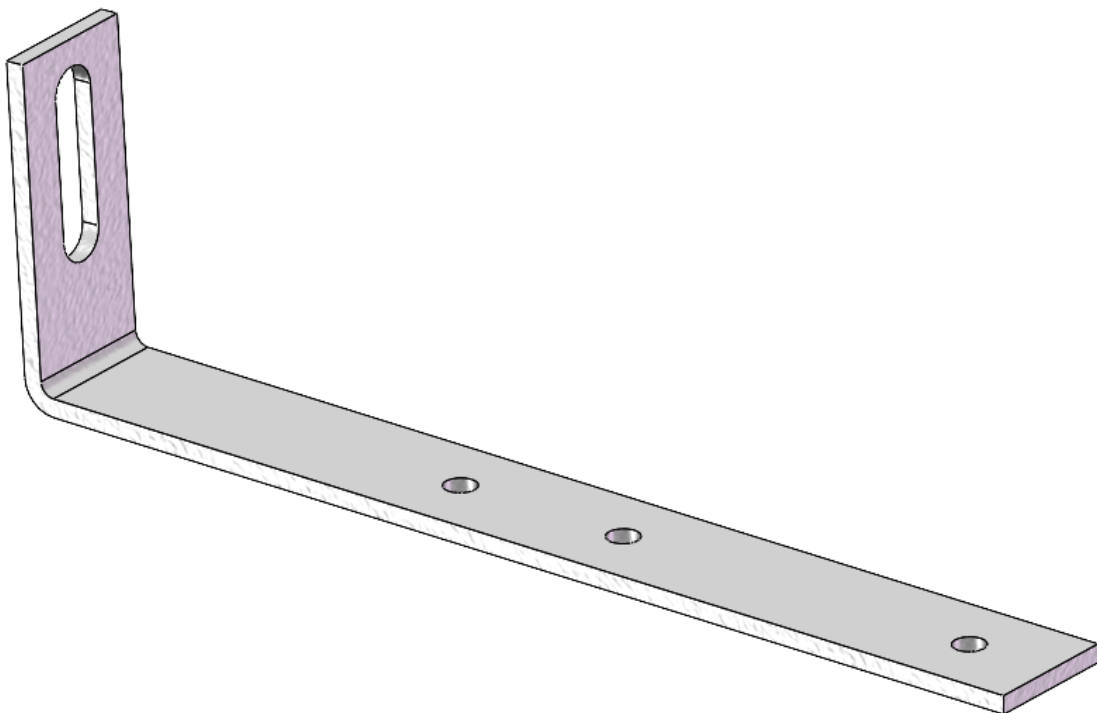
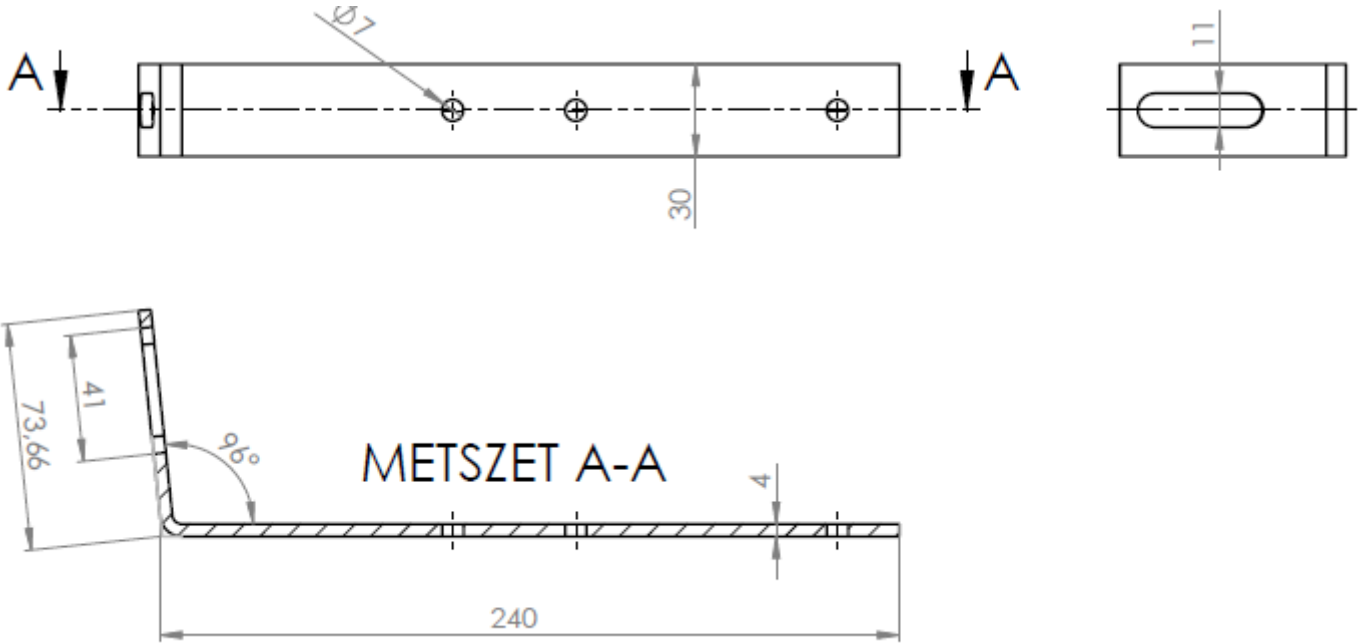
1. J roofhook in fix and adjustable design:

In addition to the existing sizes, our roof hooks can also be ordered with individual parameters. Our products have Magnelis S350GD+Z310 material quality and every hook has a thickness of 4mm. This material is completely resistant to corrosion and has the ability to self-heal from cuts.

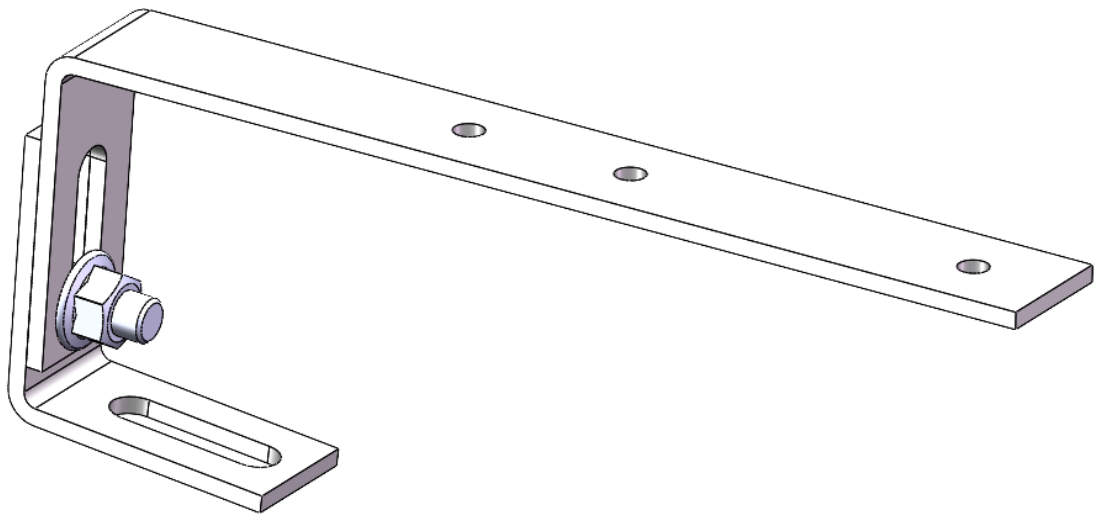
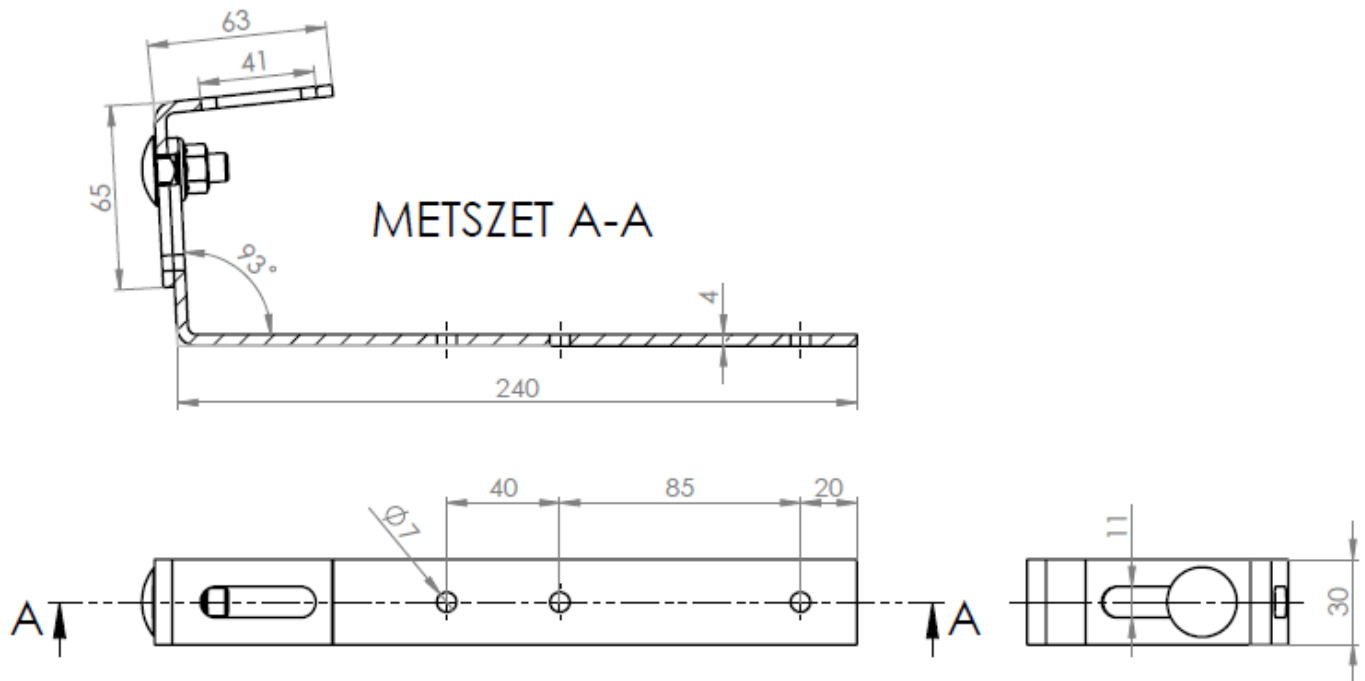
1.1 Fix J roofhook: J24F



1.2 Side mounting J roofhook: J240



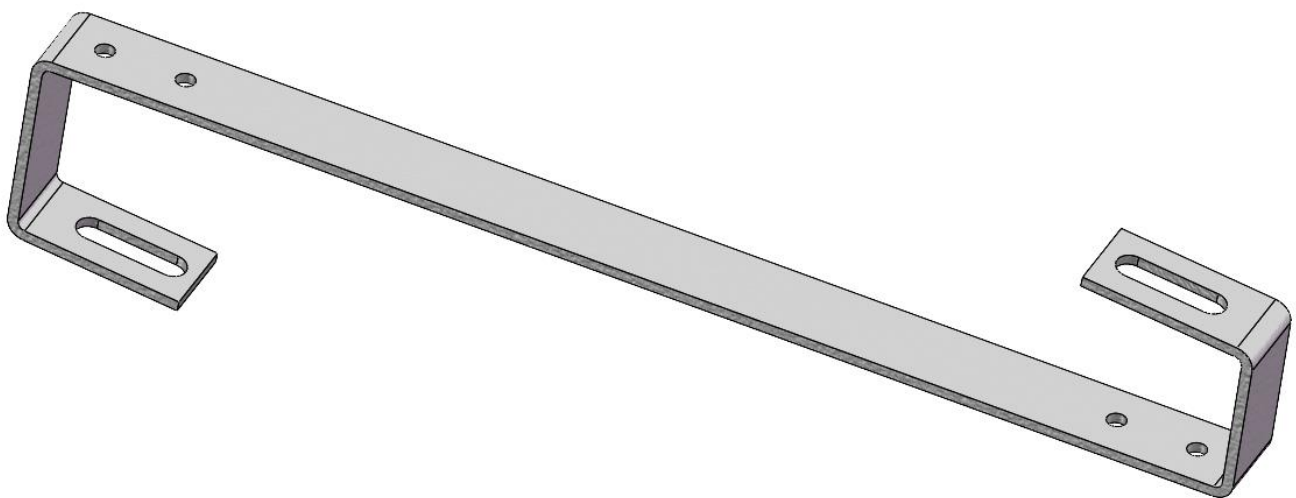
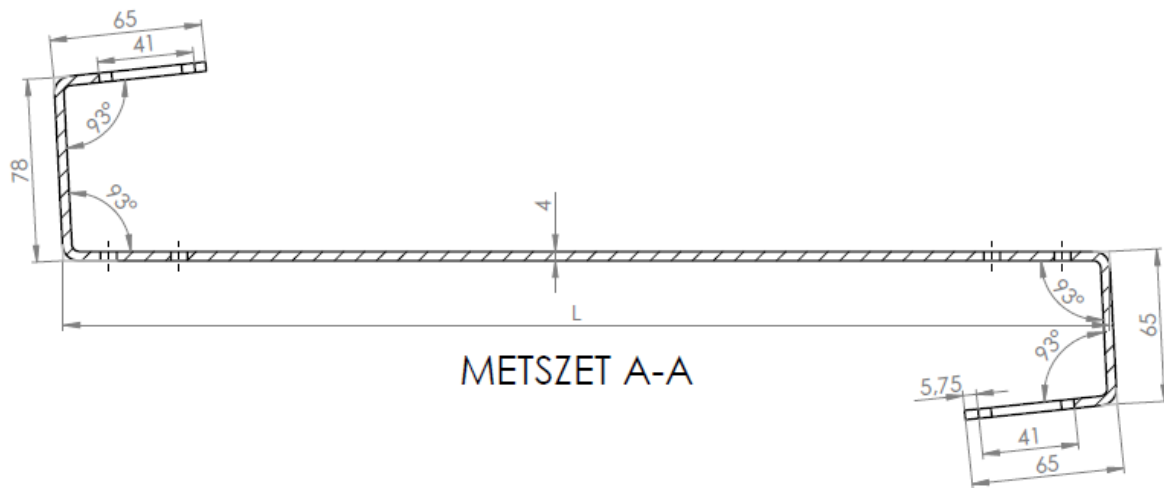
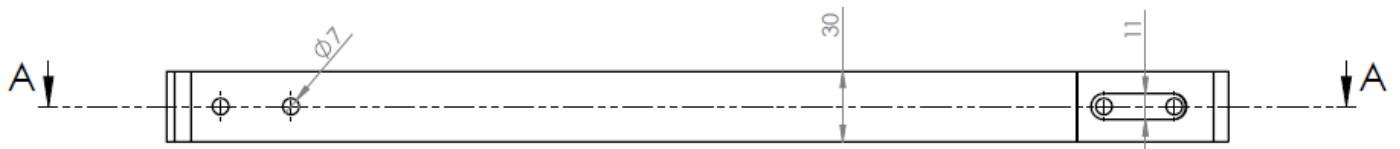
1.3 Adjustable J roofhook: J24V



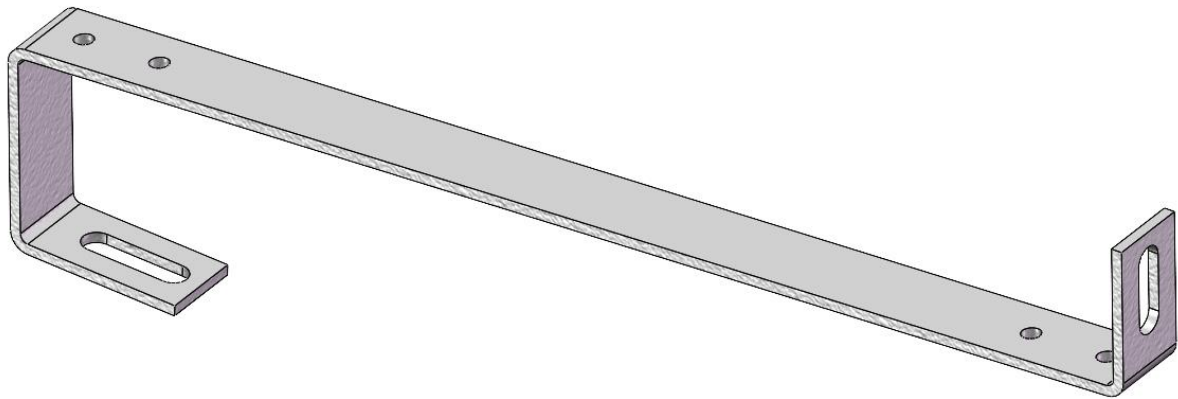
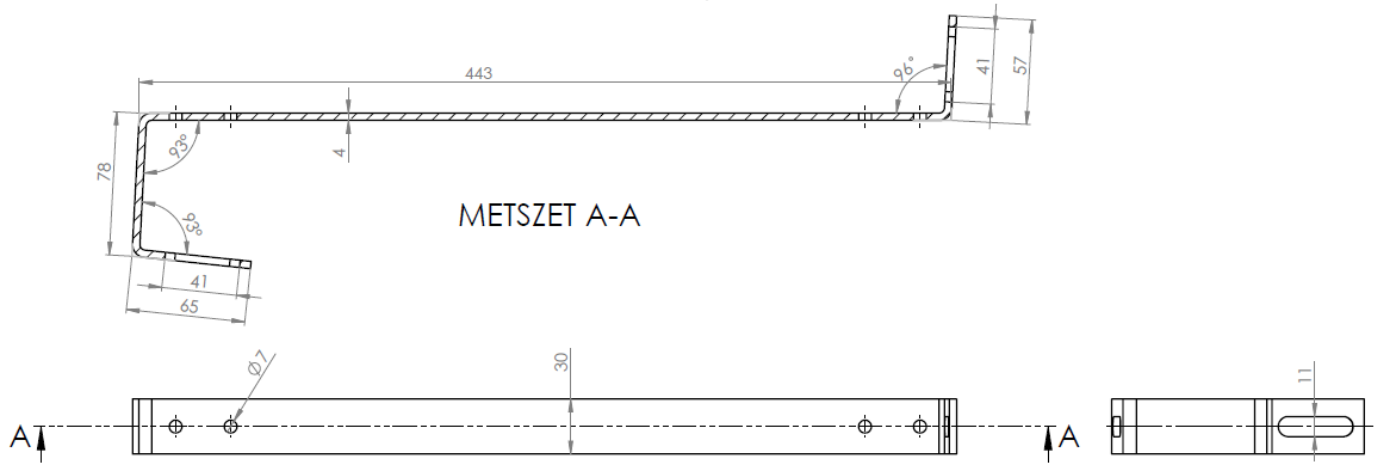
2. S roofhook fix and adjustable design:

The S hooks are available L=450,470,500,530 mm length.

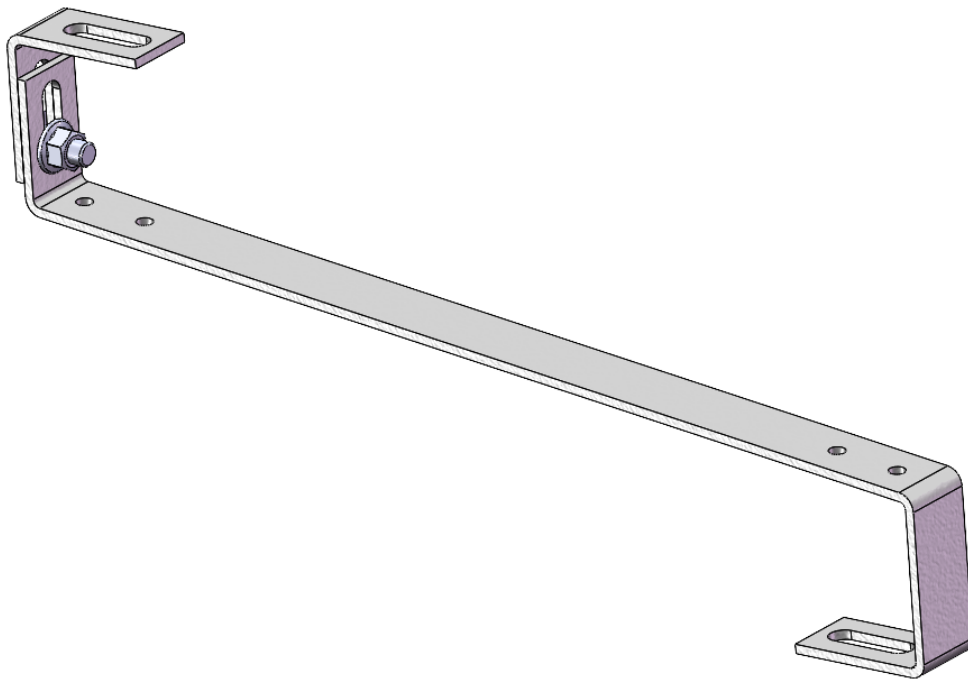
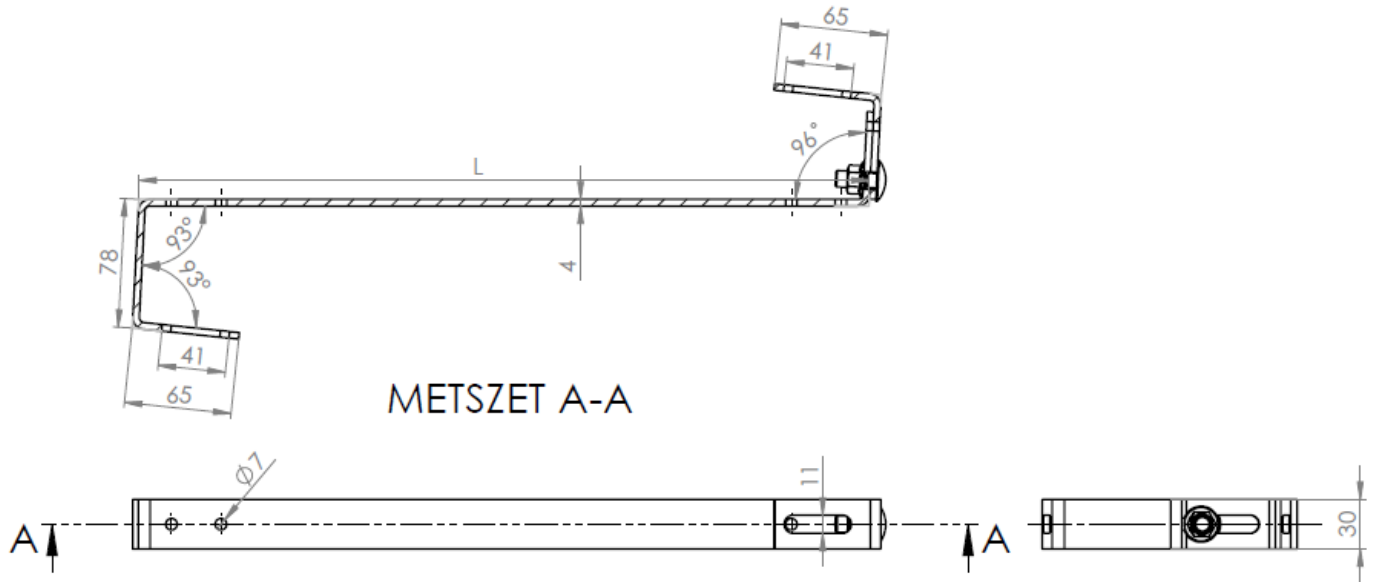
2.1 Fix S roofhook: S45F



2.2 Side mounting S roofhook: S450

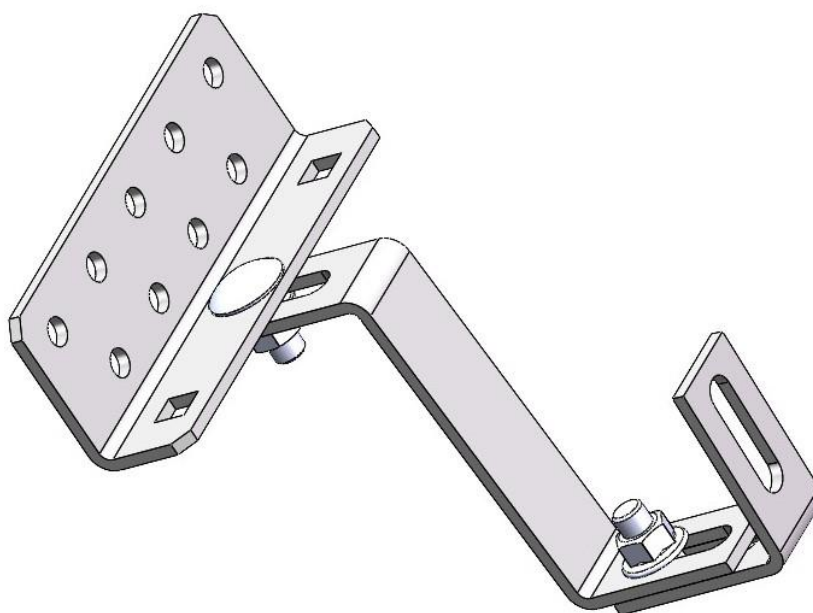
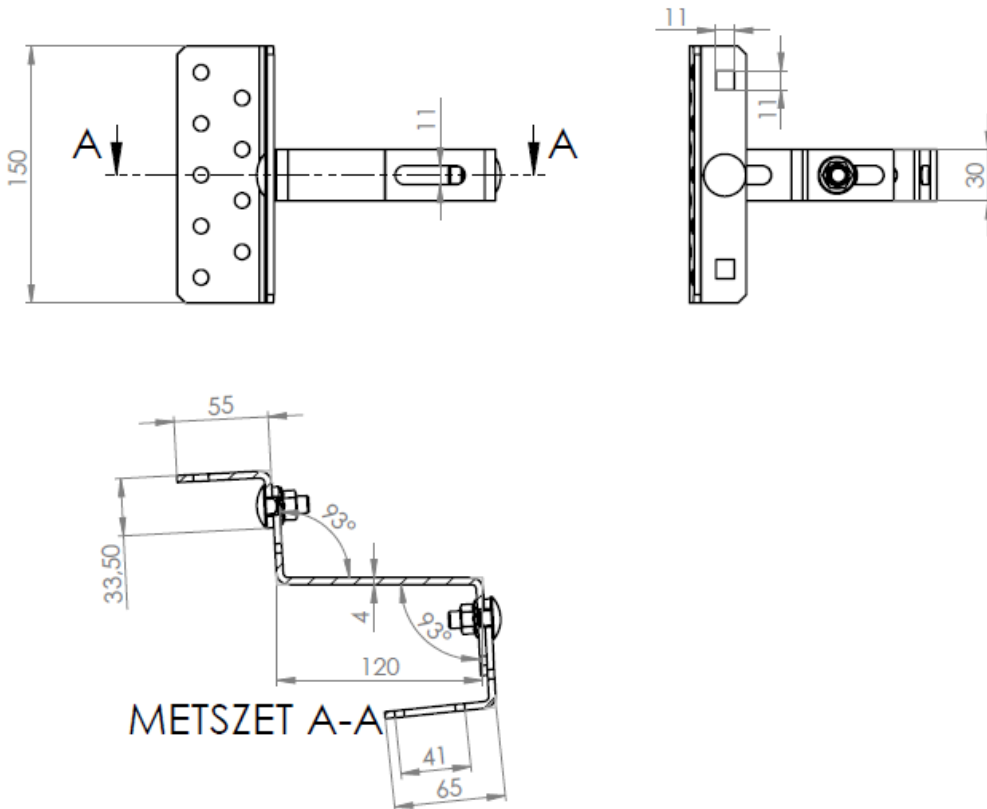


2.3 Adjustable S roofhook: S45V



2.4 Variable roofhooks: S12VAR, S15VAR

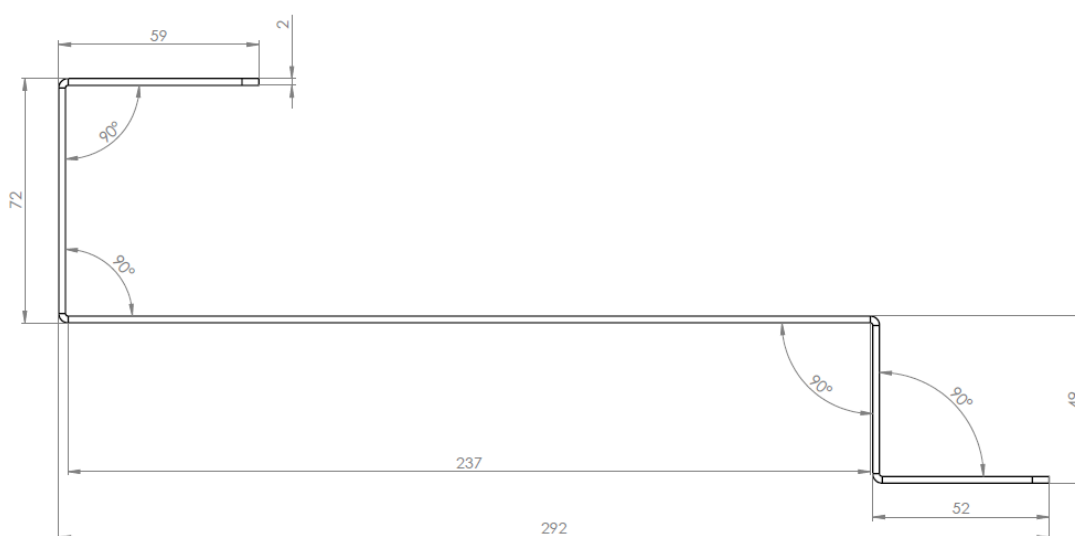
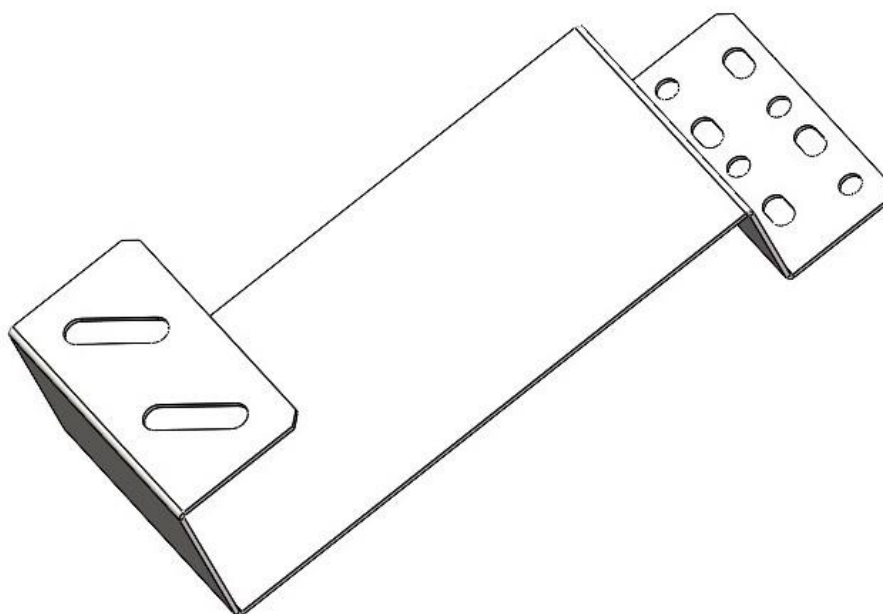
Available in 120 and 150 mm length.



3. Stainless steel roofhook

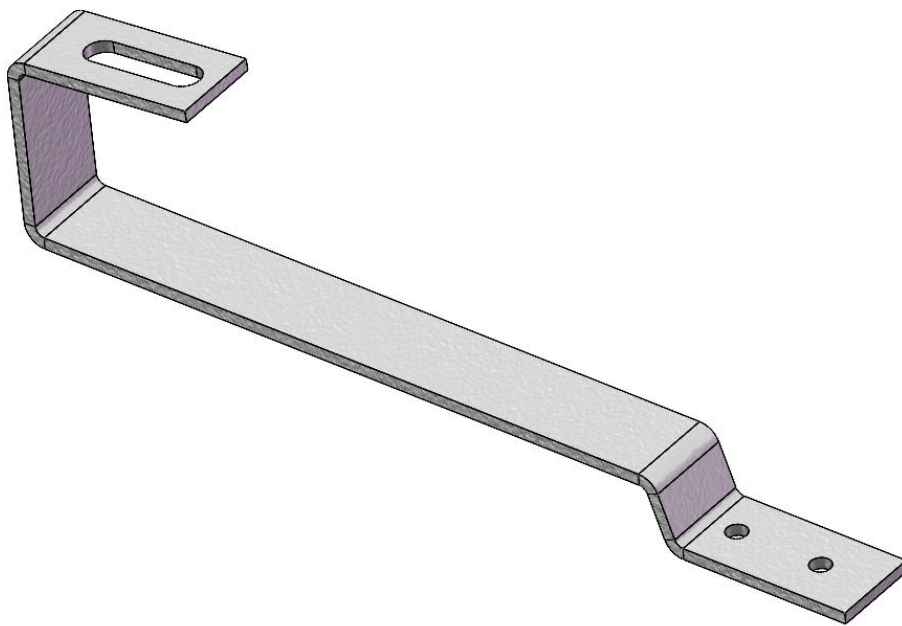
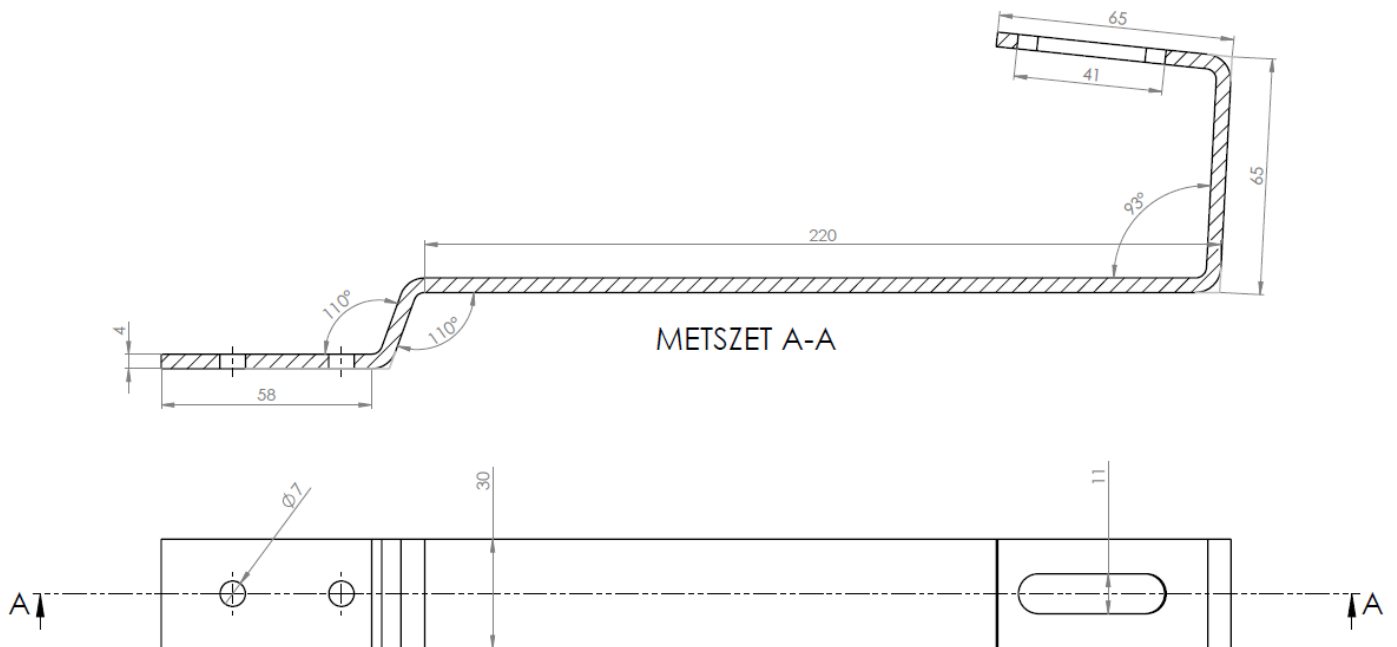
3.1 LHF roofhook

Our stainless steel A2 roof hooks are available in 240mm and 390mm sizes.

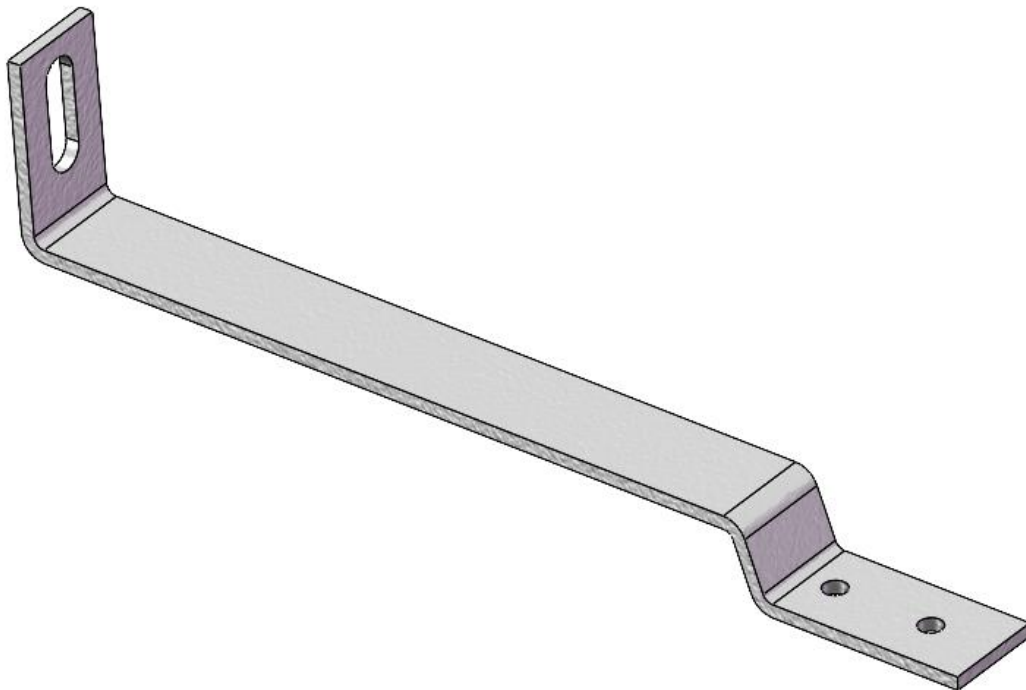
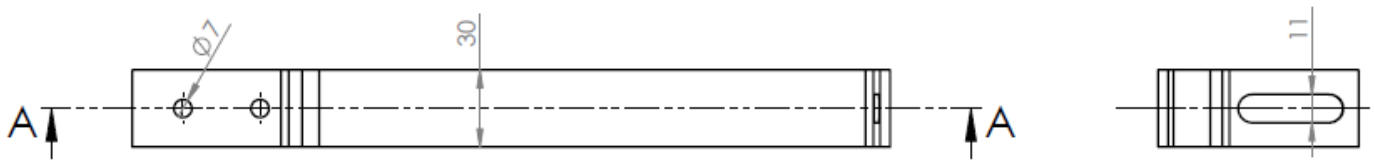


4. „Beaver tail” roofhook in fix and adjustable design:

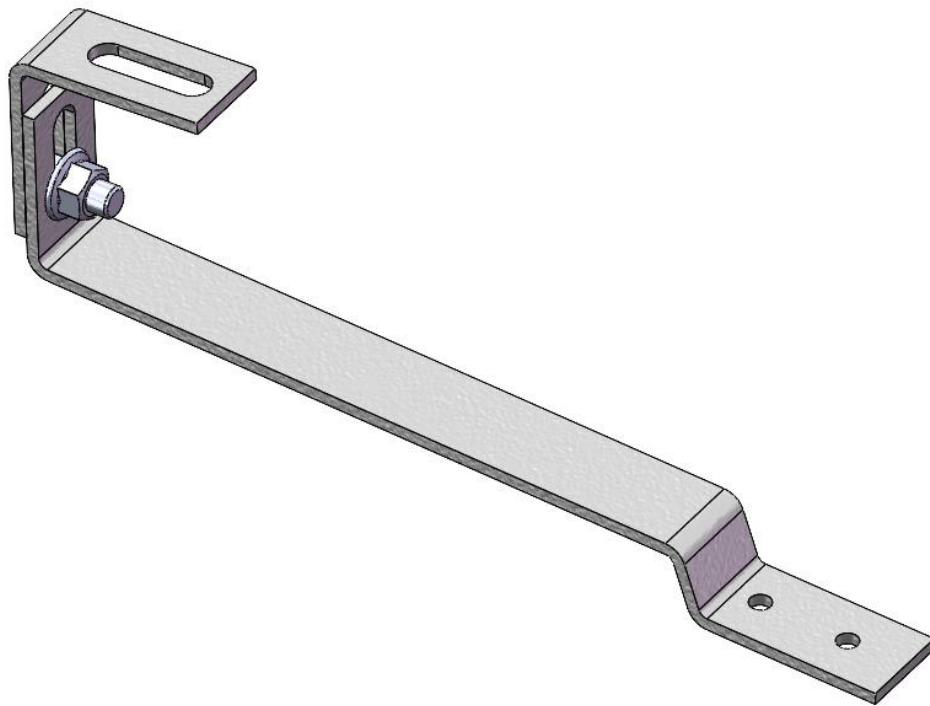
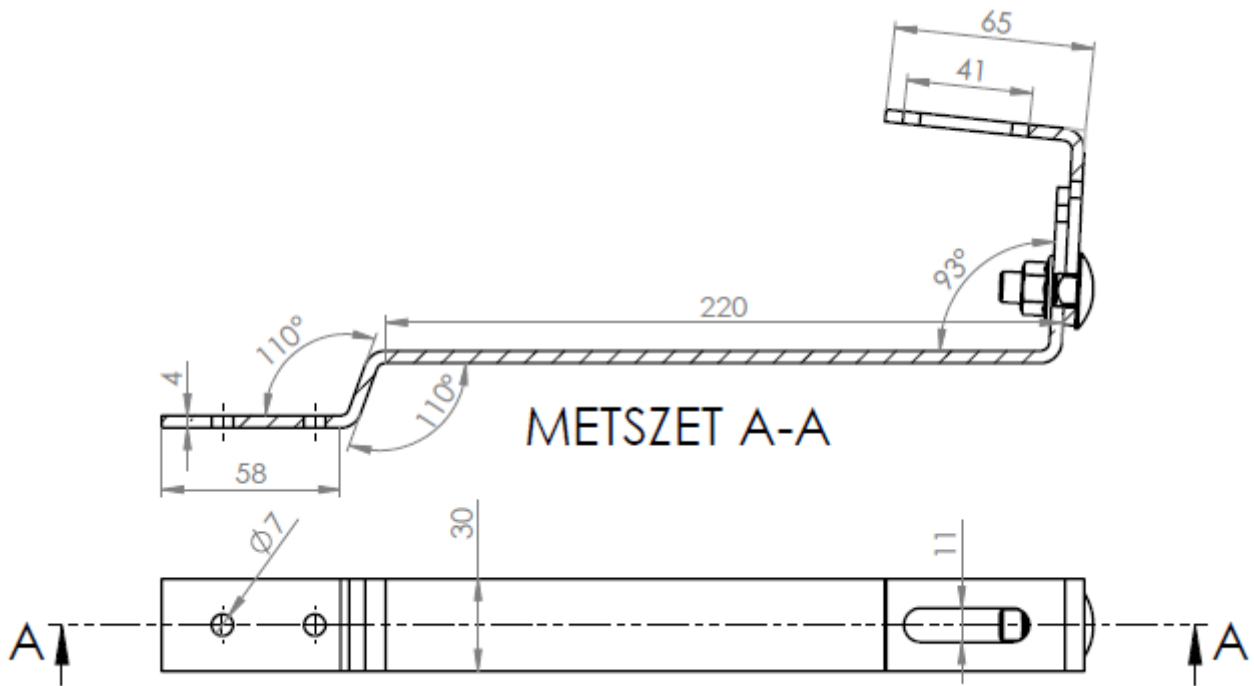
4.1 Fix „beaver tail” roofhook:



4.2 Side mounting „beaver tail” roofhook:

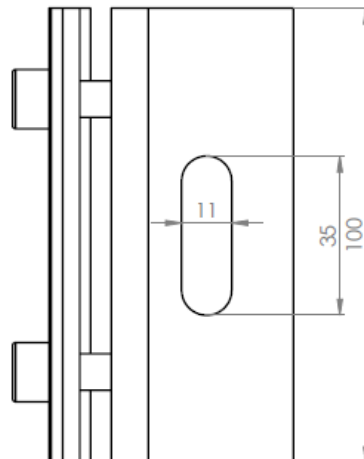
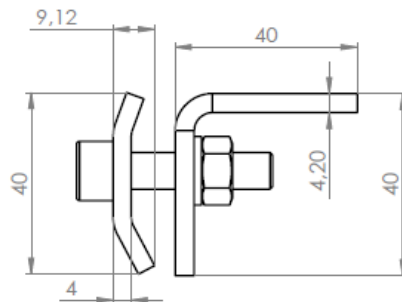
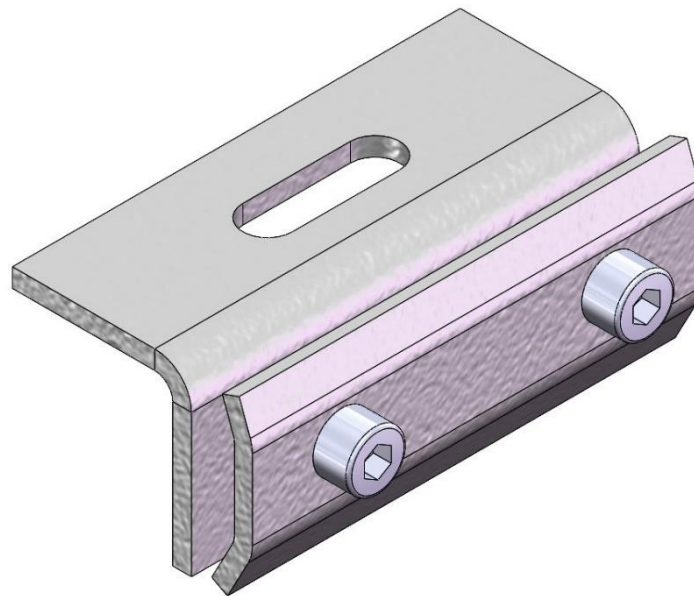


4.3 Adjustable „beaver tail” roofhook:



5. Hemminged roof attachment:

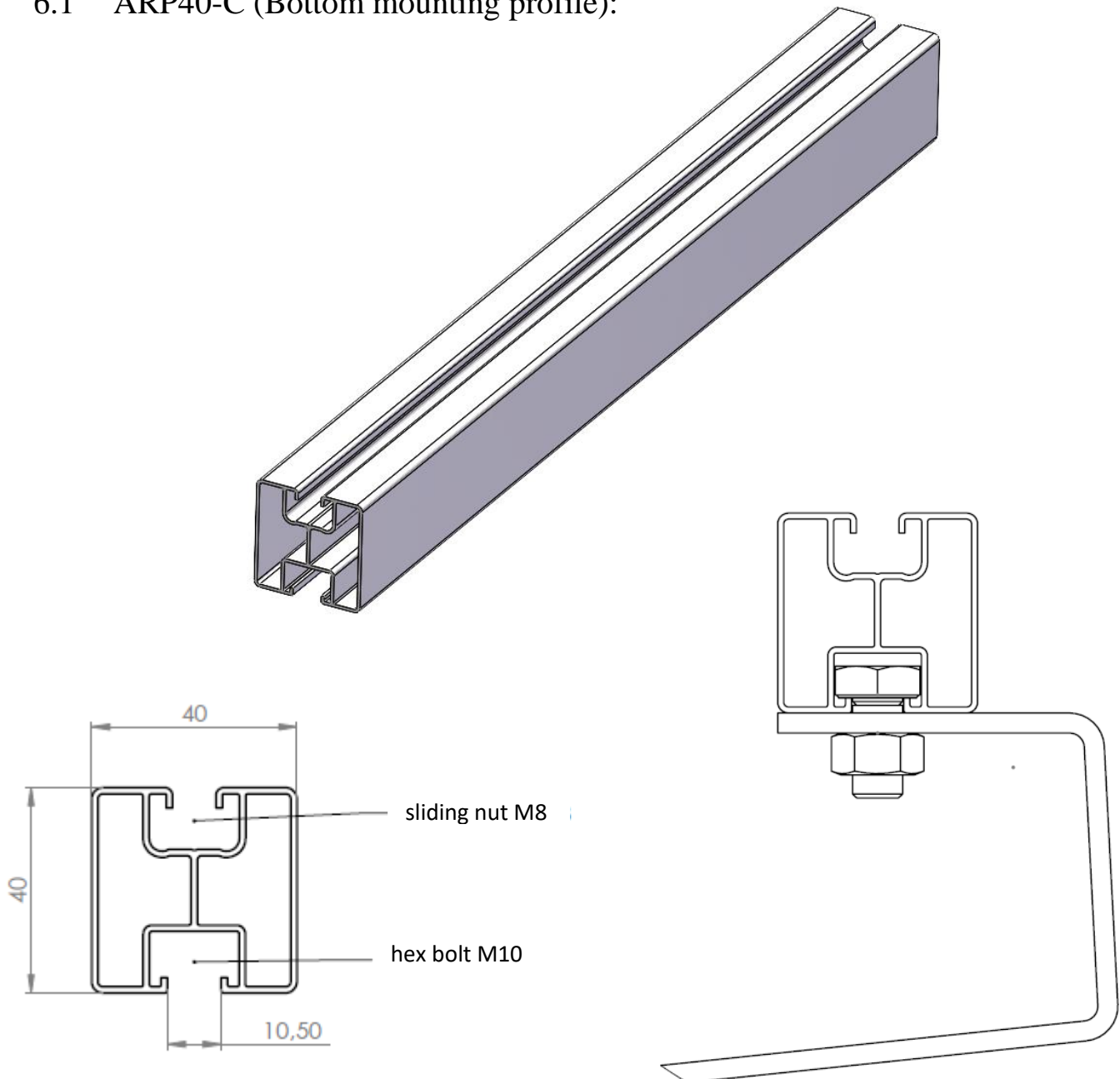
Our fixing solution for hemminged roofs is made of Magnelis in order to avoid corrosion, just like the roof hooks.



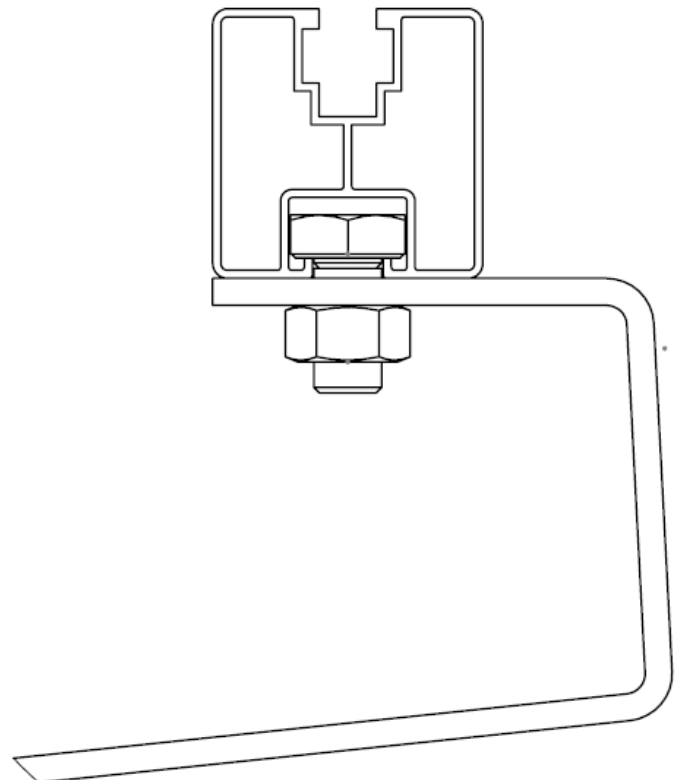
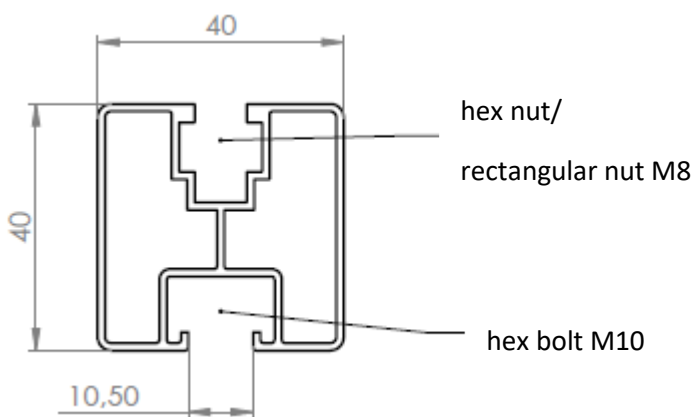
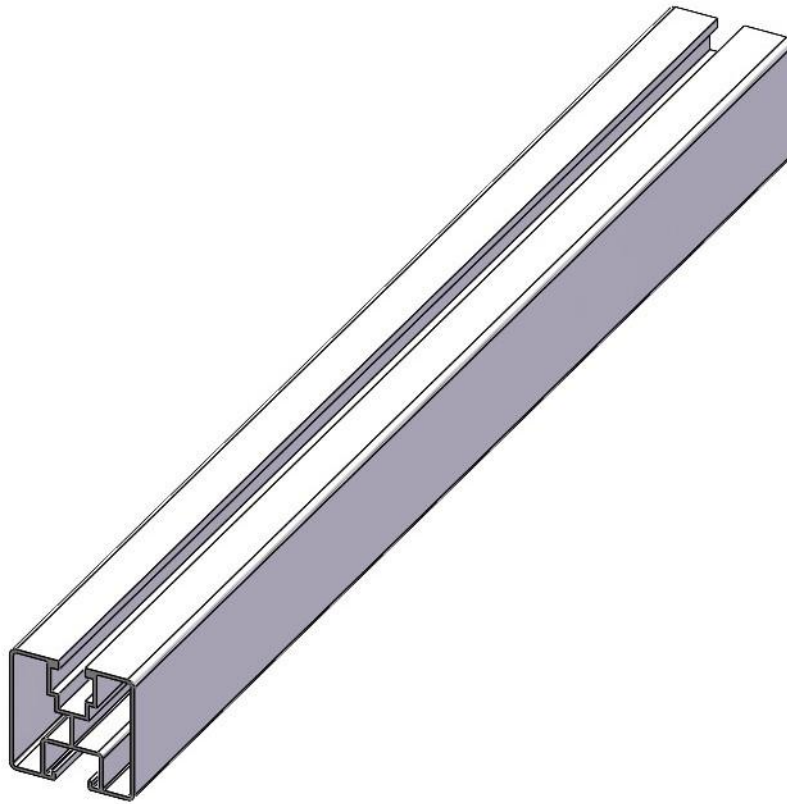
6. Aluminium mounting profiles:

Our aluminium mounting profiles are made of extruded aluminium. These profiles can be used for both traditional family houses and trapezoidal roof structures. Our profiles for traditional roofs are available in lengths of 2210, 3320, 4420, 6650 mm.

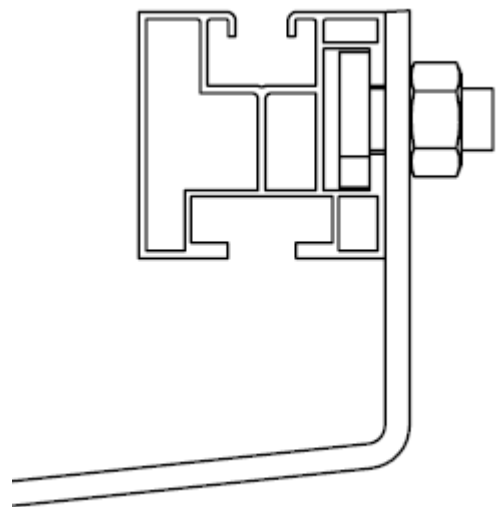
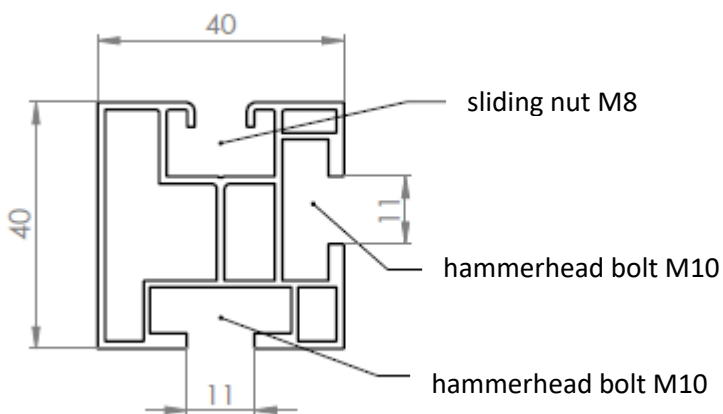
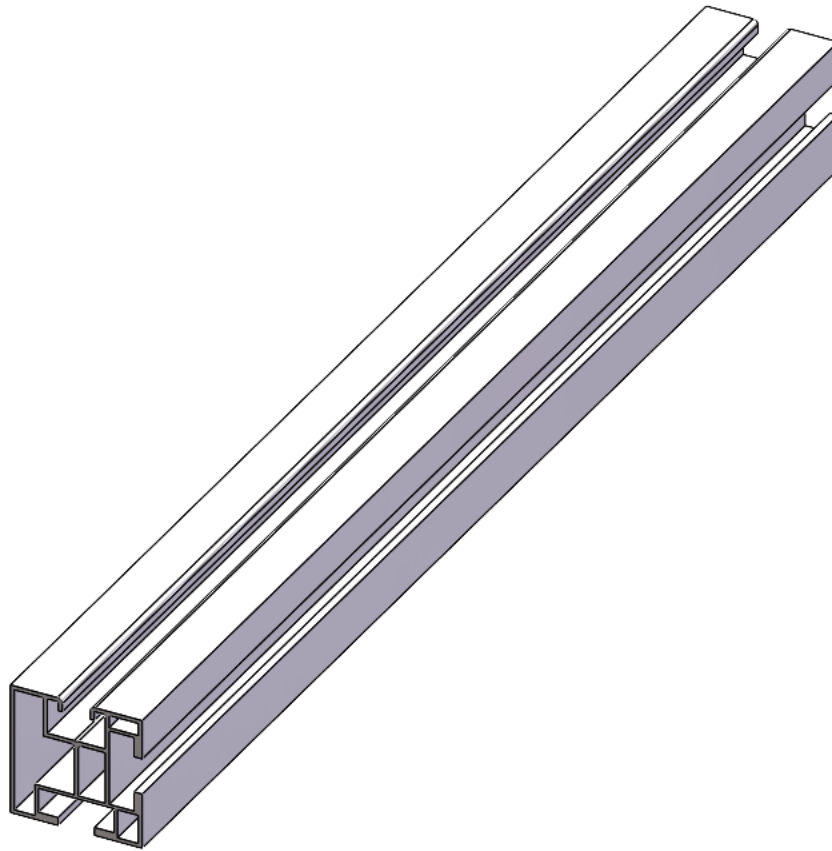
6.1 ARP40-C (Bottom mounting profile):



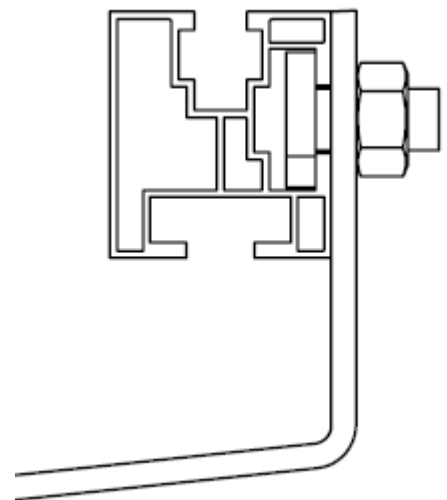
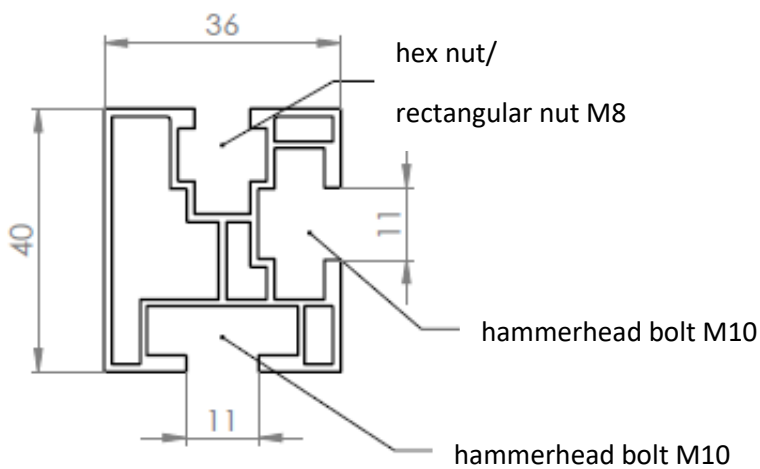
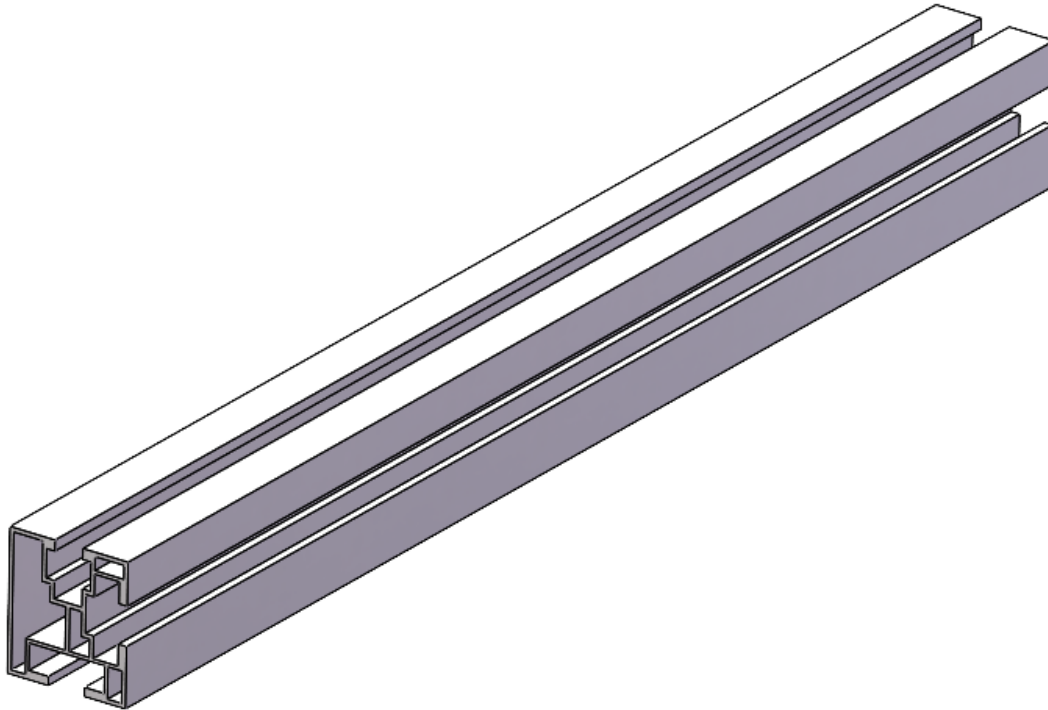
6.2 ARP40-H (Bottom mounting profile):



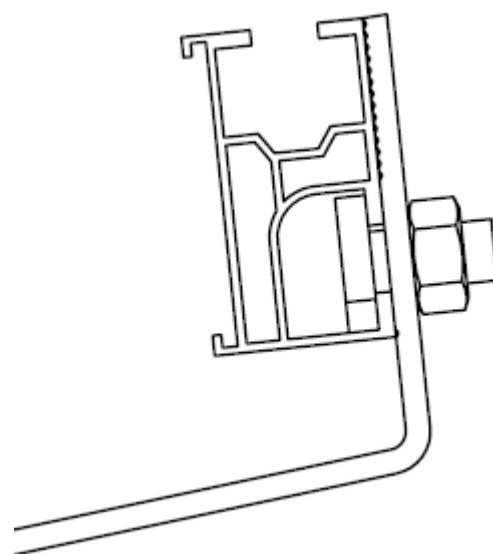
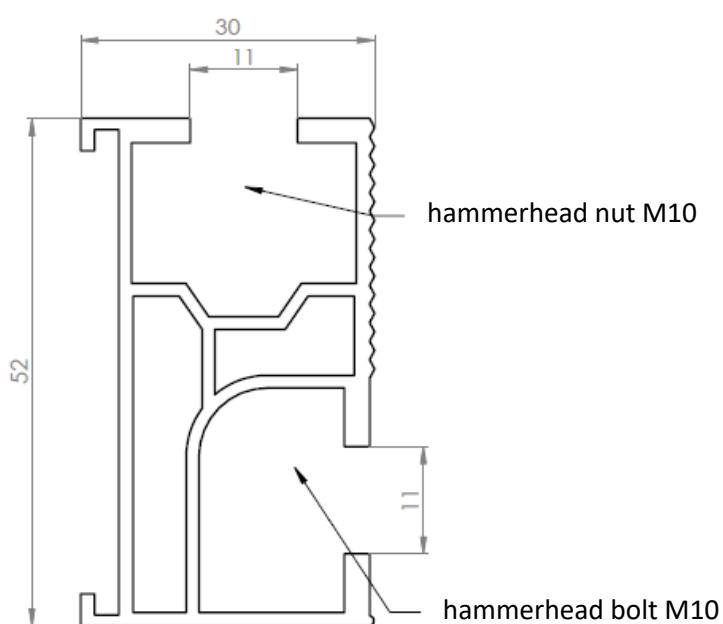
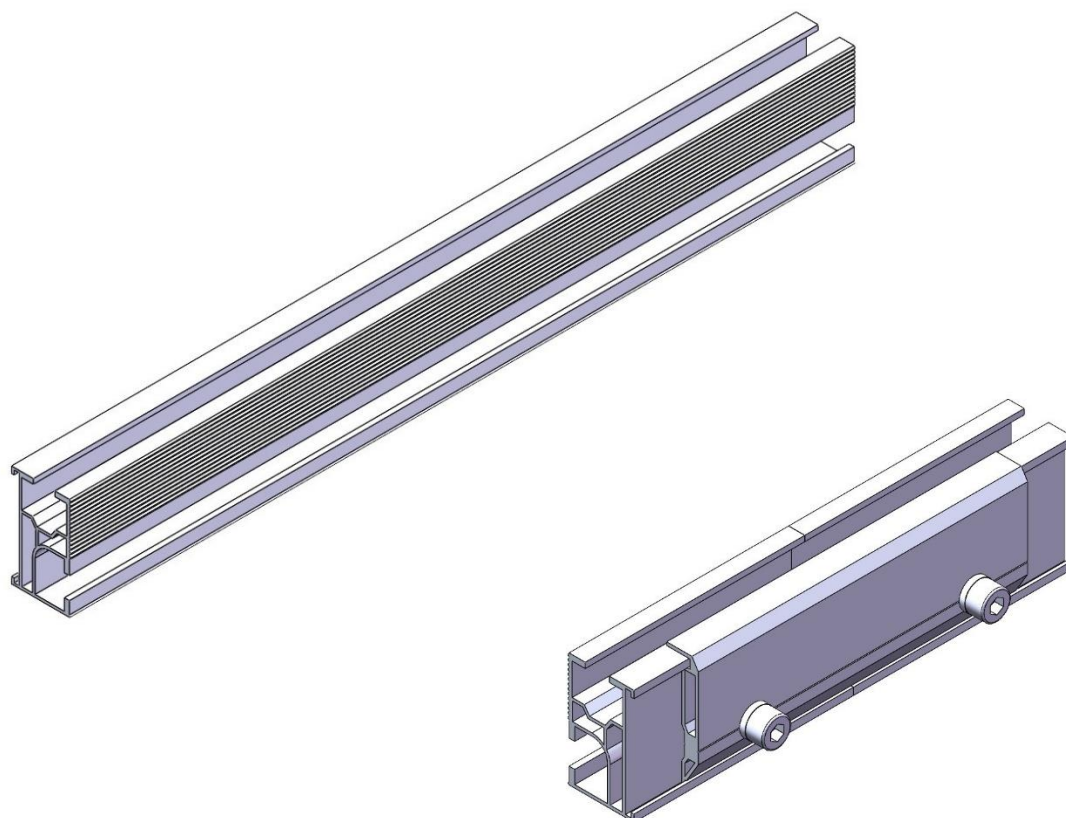
6.3 KRP40-C (Combined mounting profile):



6.4 KRP40-H (Combined mounting profile):



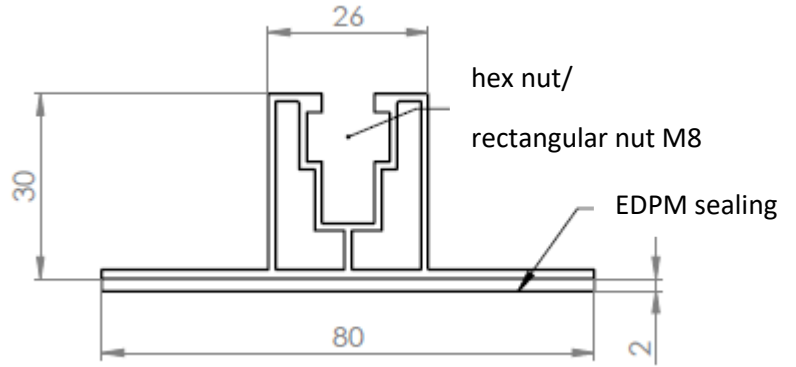
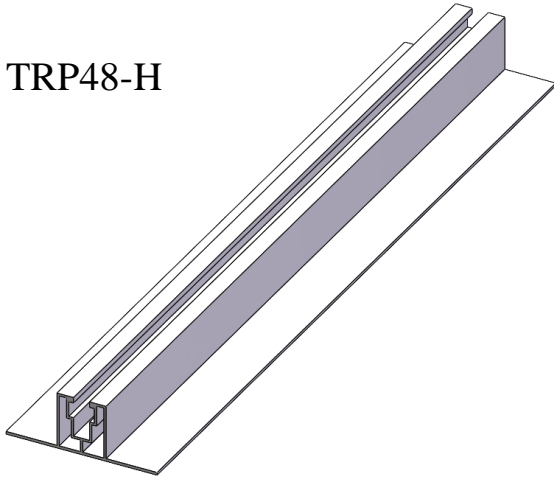
6.5 ARP52-K (Side mounting profile):



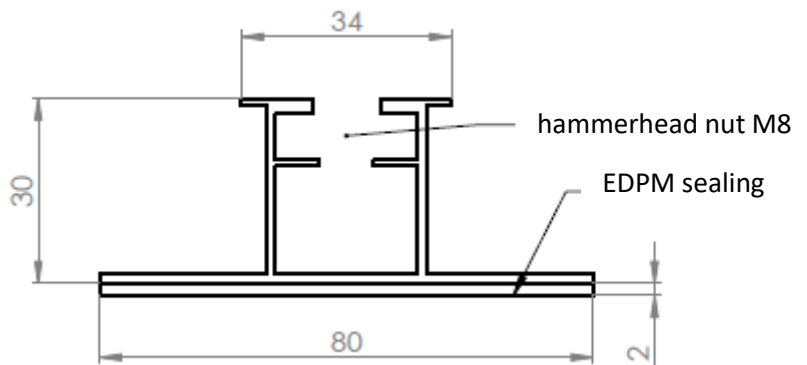
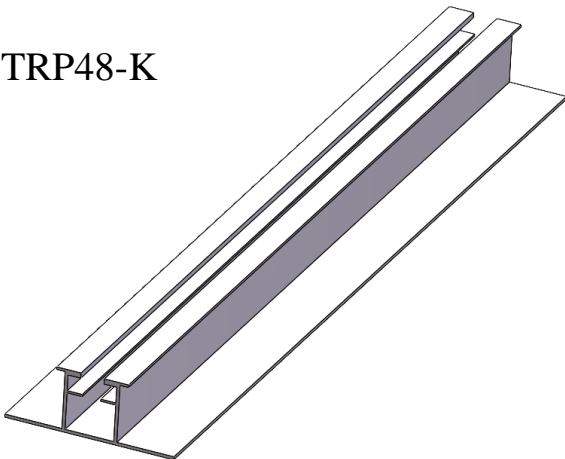
6.6 Trapezoid plate roof profile:

They are generally available in a length of 400 mm, but we can also make them in individual sizes upon customer request.

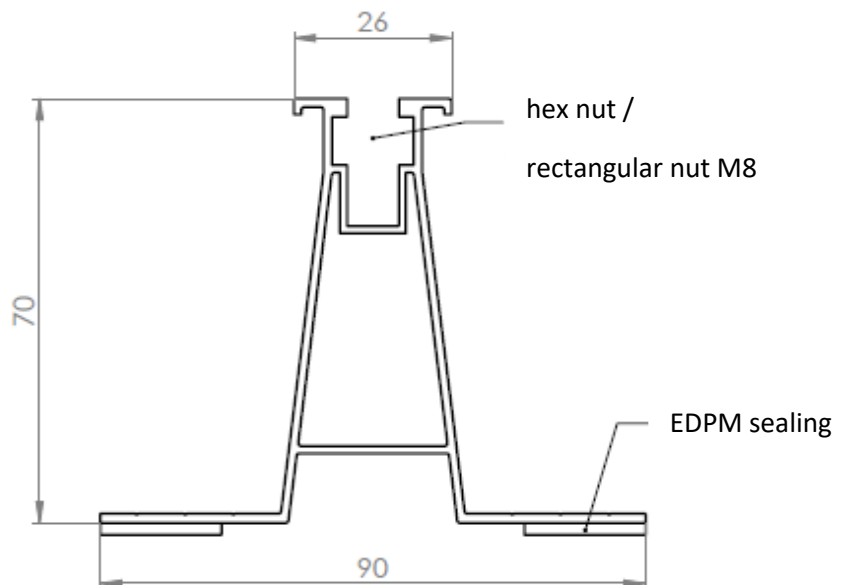
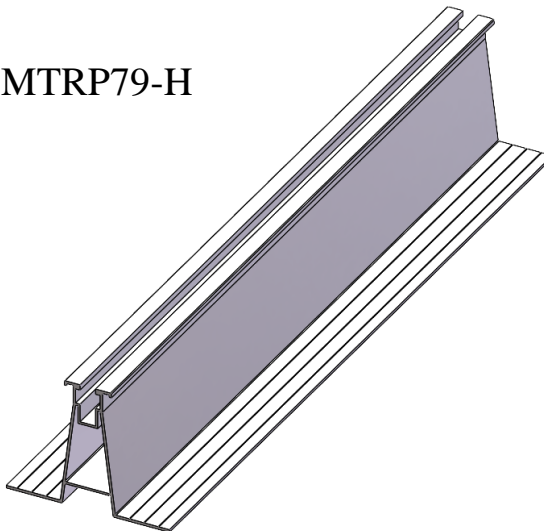
TRP48-H



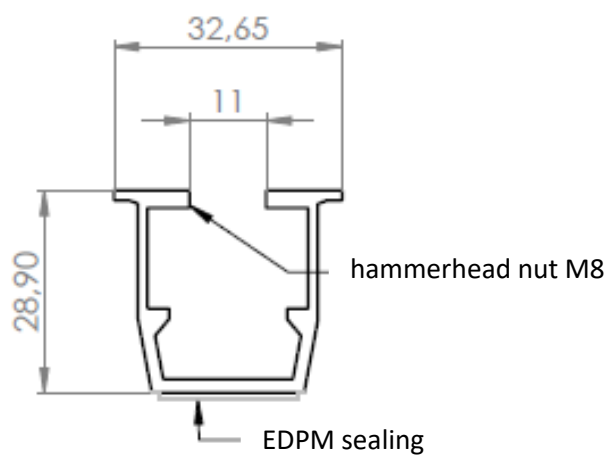
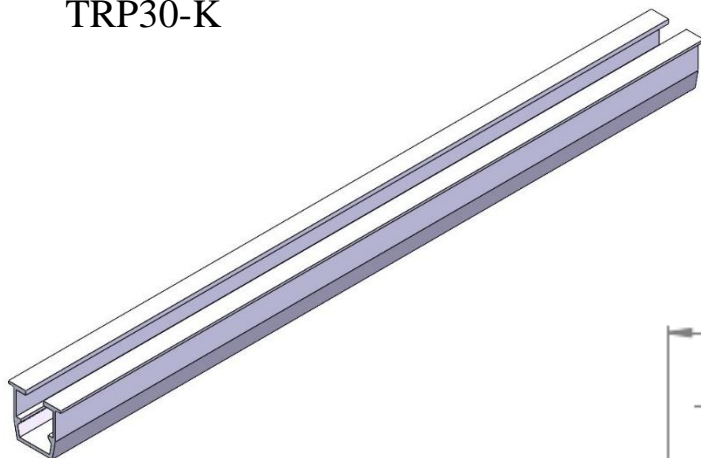
TRP48-K



MTRP79-H



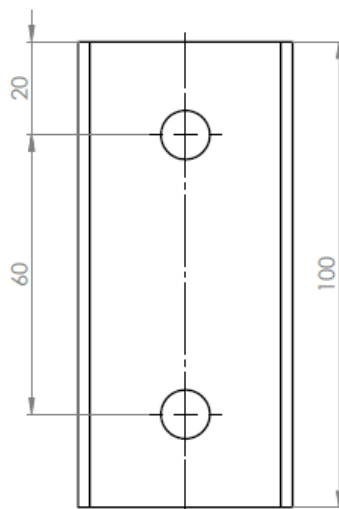
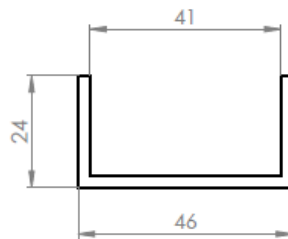
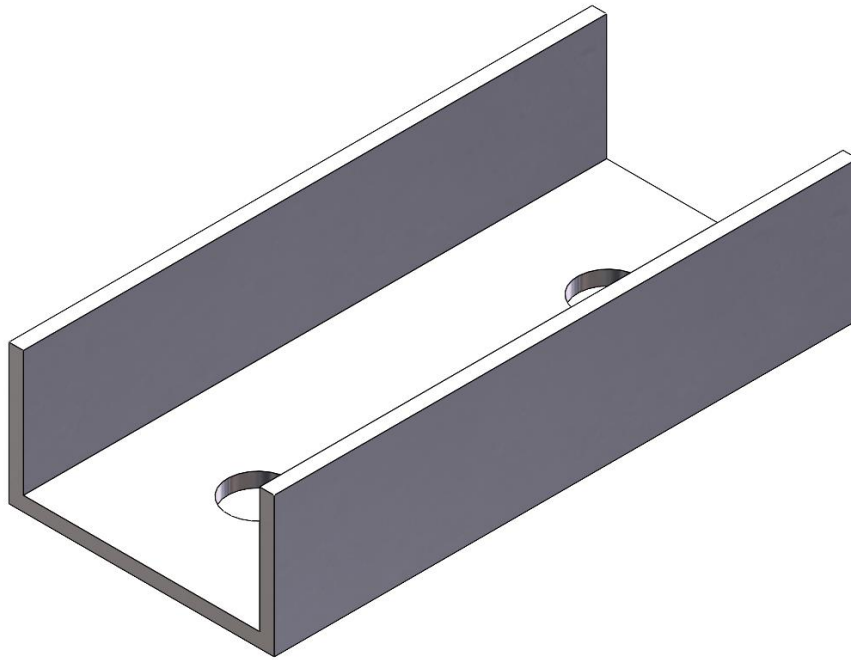
TRP30-K



7. Profile connectors:

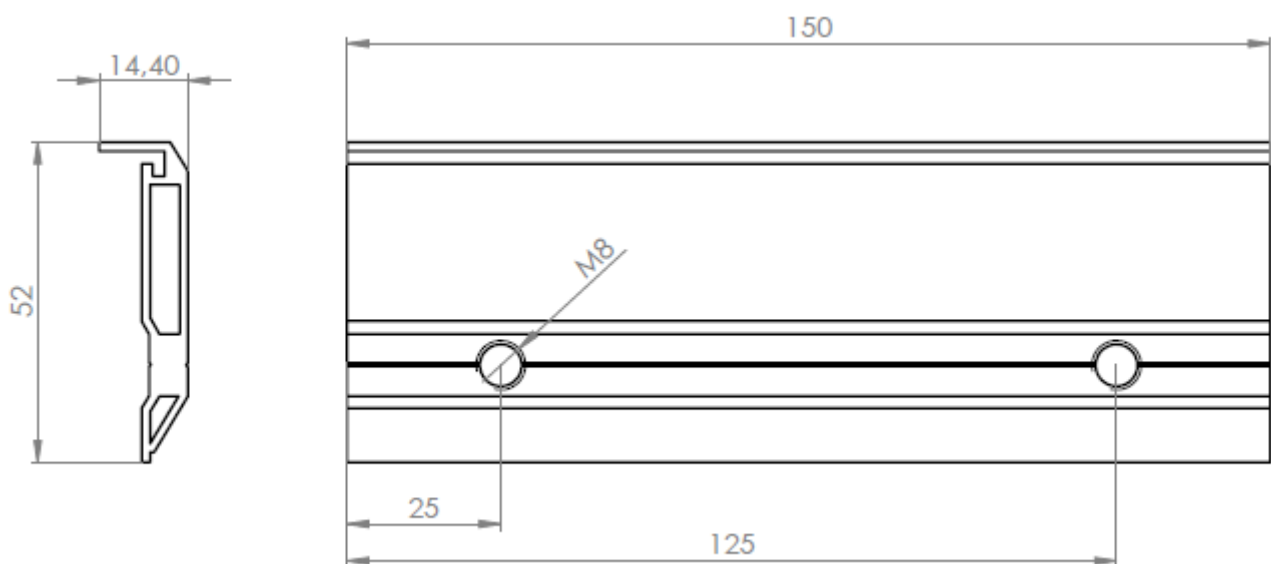
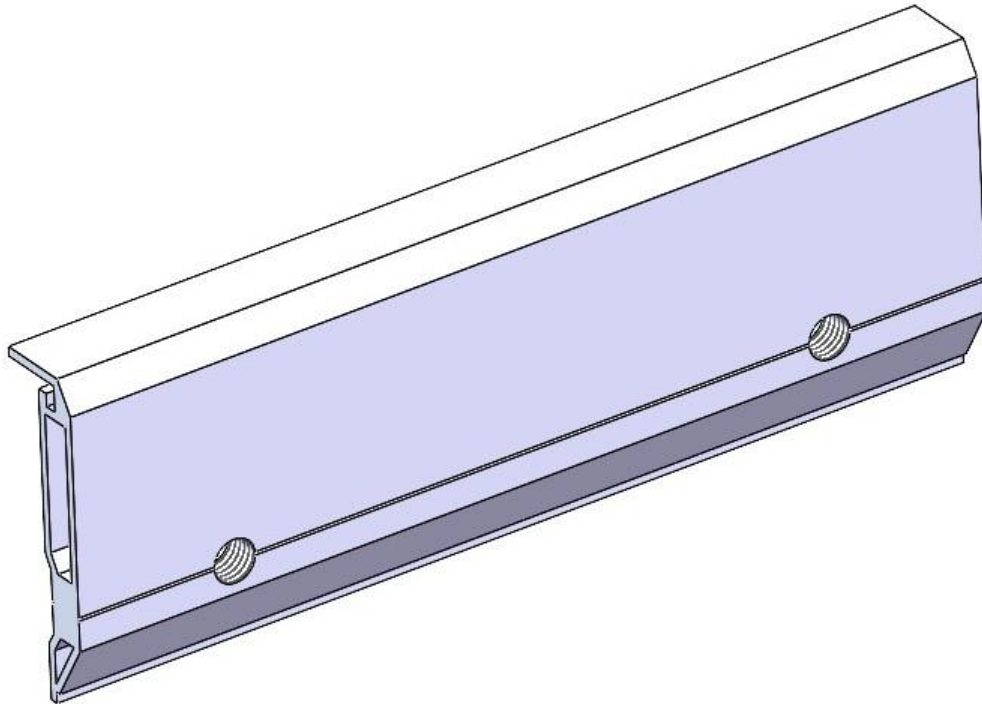
7.1 TP40:

Available in 100mm and 200mm length.



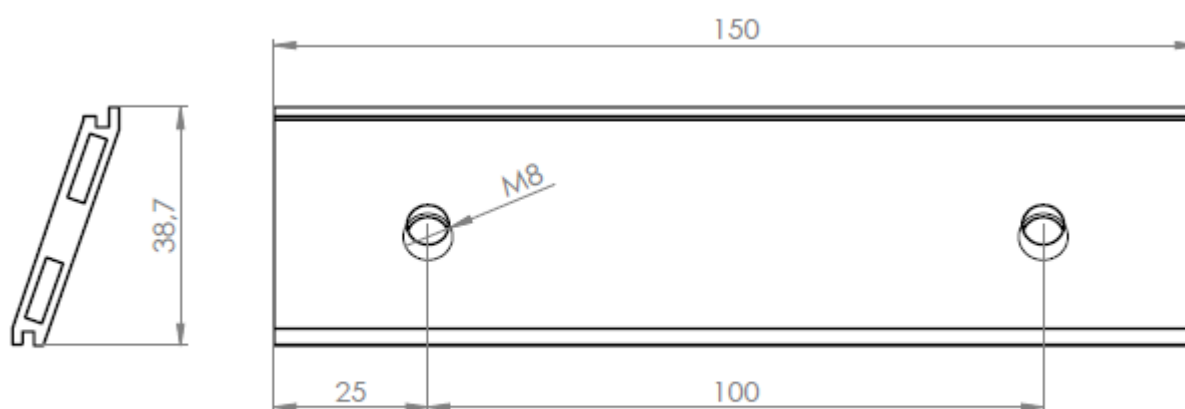
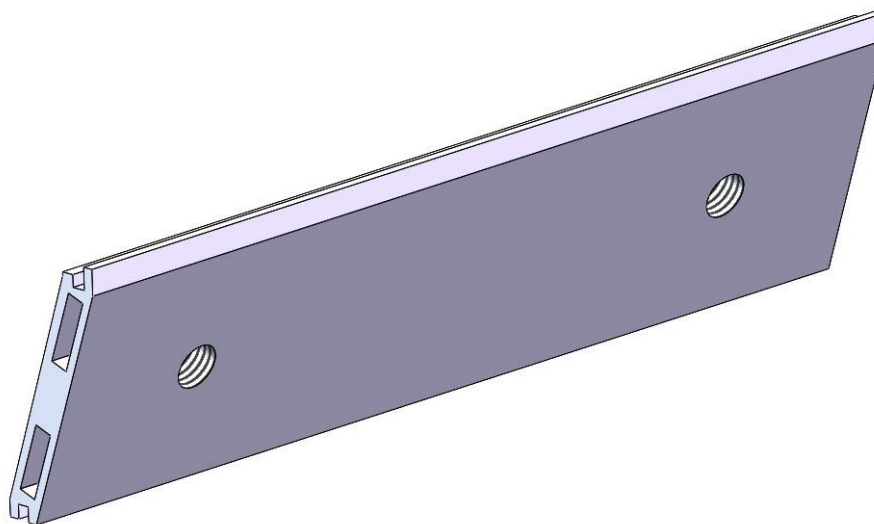
7.2 TP52:

Available in 150mm length.



7.3 TP-MRK:

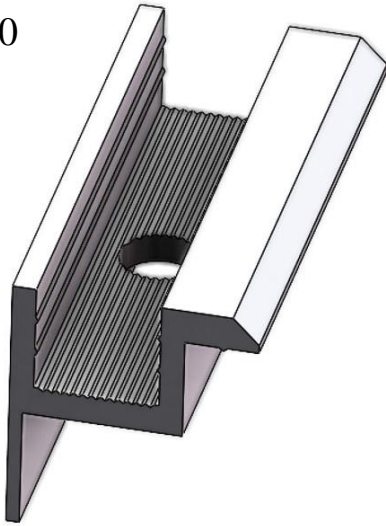
Available in 150mm length.



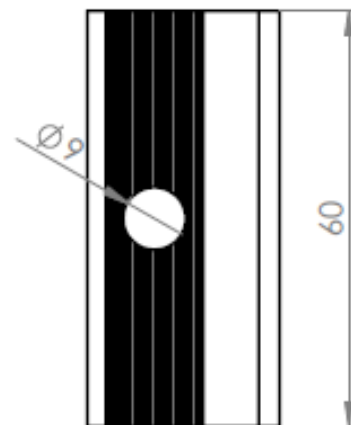
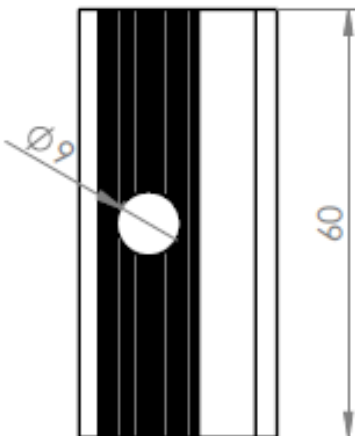
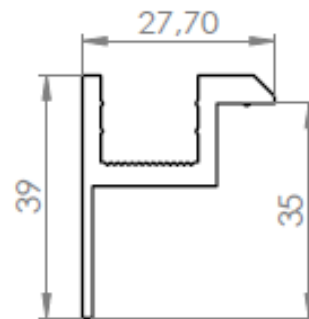
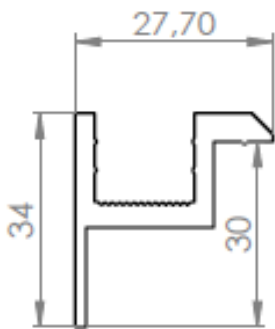
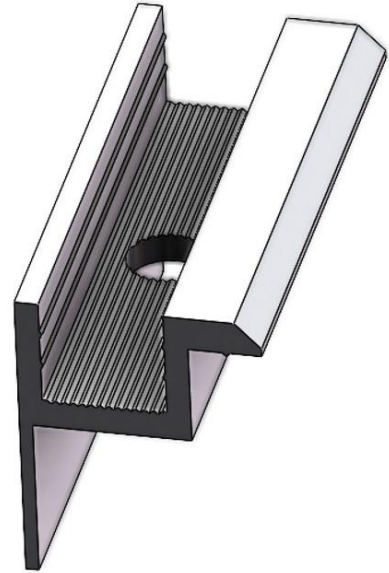
8. Solar panel fastener:

8.1 End fasteners:

SR30

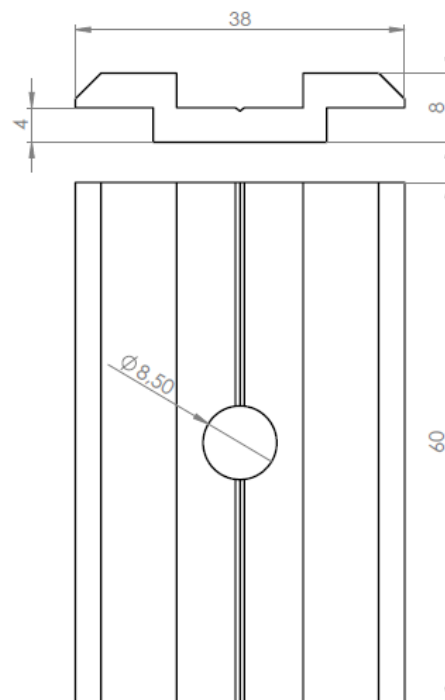


SR35



8.2 Middle fasteners:

KR8



KR16

